

AKSIUM S 14 (White and Red)

Use: for road bike use only. Any other use (such as on a tandem, cyclo-cross bike, or off-road use...) is highly inadvisable, is the sole responsibility of the user and voids the Mavic warranty.

Recommended maximum weight of the cyclist and equipment: 100 kg.

WHEEL WEIGHT WITHOUT QUICK-RELEASE SKEWER AND WITHOUT TYRE

Front	800 g
Rear M11	950 g
Rear ED11	935 g

WHEEL REFERENCES

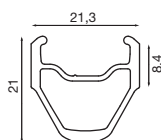
	WHITE 23	RED 23	WHITE 25
Front	329 362 10	353 616 10	353 613 10
Rear M11	329 363 11	353 617 11	353 614 11
Rear ED11	329 364 12	353 618 12	353 615 12
Pair M11	329 365 14	353 619 14	361 396 14
Pair ED11	329 366 14	353 620 14	361 397 14

RIMS

SALES REFERENCES

White: Front and rear: 308 608 15

Red: Front and rear: 308 609 15



Ø VALVE HOLE

Ø: 6.5 mm



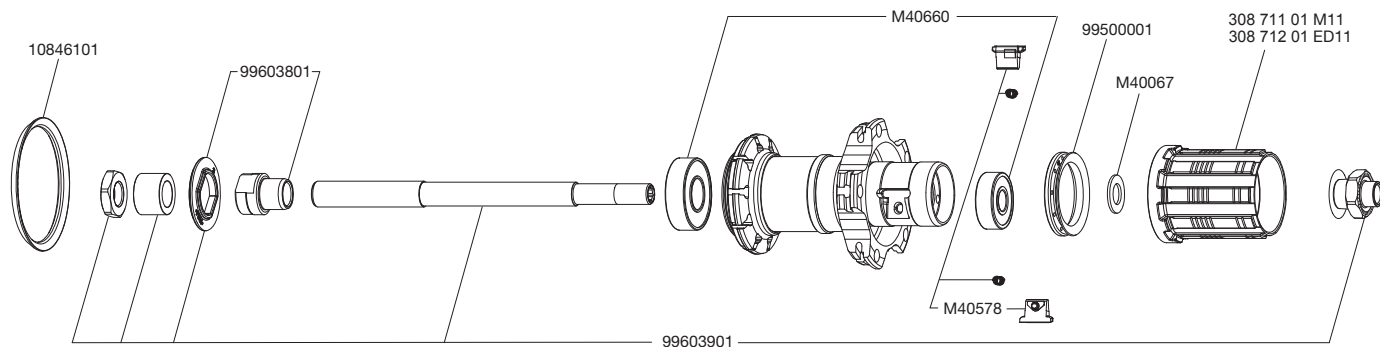
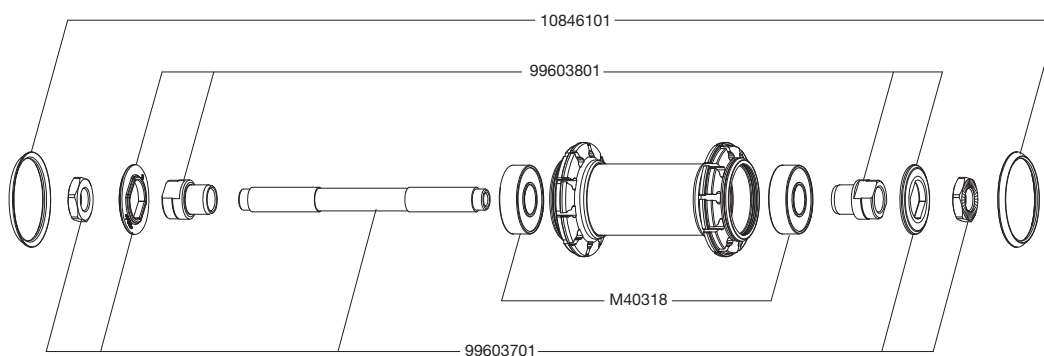
RECOMMENDED TYRE WIDTH

Dimensions: ETRTO 622x15C

Recommended clincher width: 19 to 32 mm

HUBS

MAINTENANCE: Clean with a dry cloth or soapy water if necessary.
Do not use a high-pressure washer.



WHEEL BUILDING

REFERENCES AND LENGTHS:

Front and rear non-drive side: 108 449 01, length 282 mm (per 10, nipples included)
Drive side: 108 450 01, length 298 mm (per 10, nipples included)

FEATURES:

Black, bladed, straight pull steel spokes with steel ABS type spoke nipples

LACING PATTERN:

Front: radial
Rear: 2-crossed drive side, radial non-drive side

TENSION:

Front: 100 to 110 kg
Rear drive side: 150 to 160 kg

ACCESSORIES

WHEELS SUPPLIED WITH:

- BR 101 front quick-release skewer M40350
- BR 101 rear quick-release skewer M40351
- Rim strip 18x622 (1 per wheel)
- Aksion 23 front and rear clincher (White: 355 704 23 / Red: 355 706 23) or 25 (White: 355 707 23)
- ED11 12D locking ring (with rear wheel ED11) 108 317 01
- Mavic butyl inner tubes (127 385 01)
- User manual

MAINTENANCE

Specific tool:

- Front bearing: M40373
- Rear bearing: M40373

Refer to the website for quick and convenient access to maintenance information (replacement of an axle, bearings, free wheel, spokes, and rims)

www.tech-mavic.com