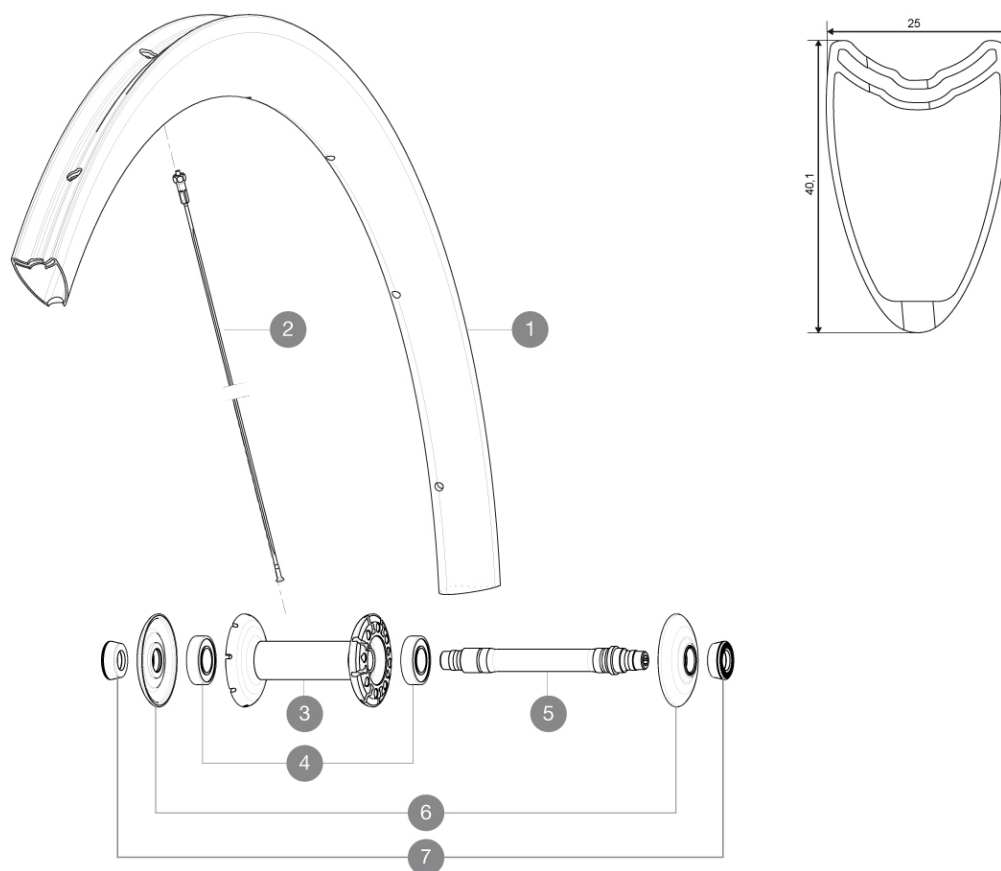


REFERENCES WHEELS

328183 Cosmic Carbone 40 T Ft



RIMS



&NBSP;:

1 L36645500 KIT FRONT RIM CC 40 TUBULAR

SPOKES

2 L36645100 KIT 10 AERO FT/NDS CC 40 T BLACK SPOKE 272mm

HUB SHELLS

| | | |
|---|-----------|---|
| 3 | N/A | HUB BODY |
| 4 | LM4007800 | FRONT HUB BEARINGS 6901 x 2 |
| 5 | L30870000 | FRONT AXLE ROAD RIM BRAKING QRM + |
| 6 | L32985700 | HUB CAP & ADJUSTING NUT CXR 80 |
| 7 | L35117300 | FT/RR FORK REST R-SYS/CC ULTIMATE > 2013/KSY PRO CARB T |

MAVIC *Cosmic Carbone 40 T***DELIVERED WITH**

| | |
|---------------------------------|--|
| BR601 quick releases | |
| Wheelbags | |
| Carbon brake pads | |
| Computer magnet (front wheel) | |
| Multifonction adjustment wrench | |
| User guide | |

Specifications**RIMS**

- **Material** : 100% Unidirectional carbon fiber
- **Height** : 40 mm
- **Drilling** : traditional
- **Brake track** : carbon
- **Valve hole diameter** : 6.5 mm
- **Tyre** : tubular
- **ETRTO size** : 28" tubular
- **Recommended tyre sizes** : 19 to 32 mm

SPOKES

- **Material** : steel
- **Shape** : straight pull, bladed, double butted
- **Nipples** : brass, ABS
- **Count** : front 16, rear 20
- **Lacing** : radial front and rear non-drive side, crossed 2 rear drive side

WHEEL HUB

- **Front and rear bodies** : carbon center tube and aluminum flanges
- **Axle material** : aluminum
Adjustable sealed cartridge bearings
- **Freewheel** : FTS-L steel

WHEEL WEIGHTS

Wheel weight 635