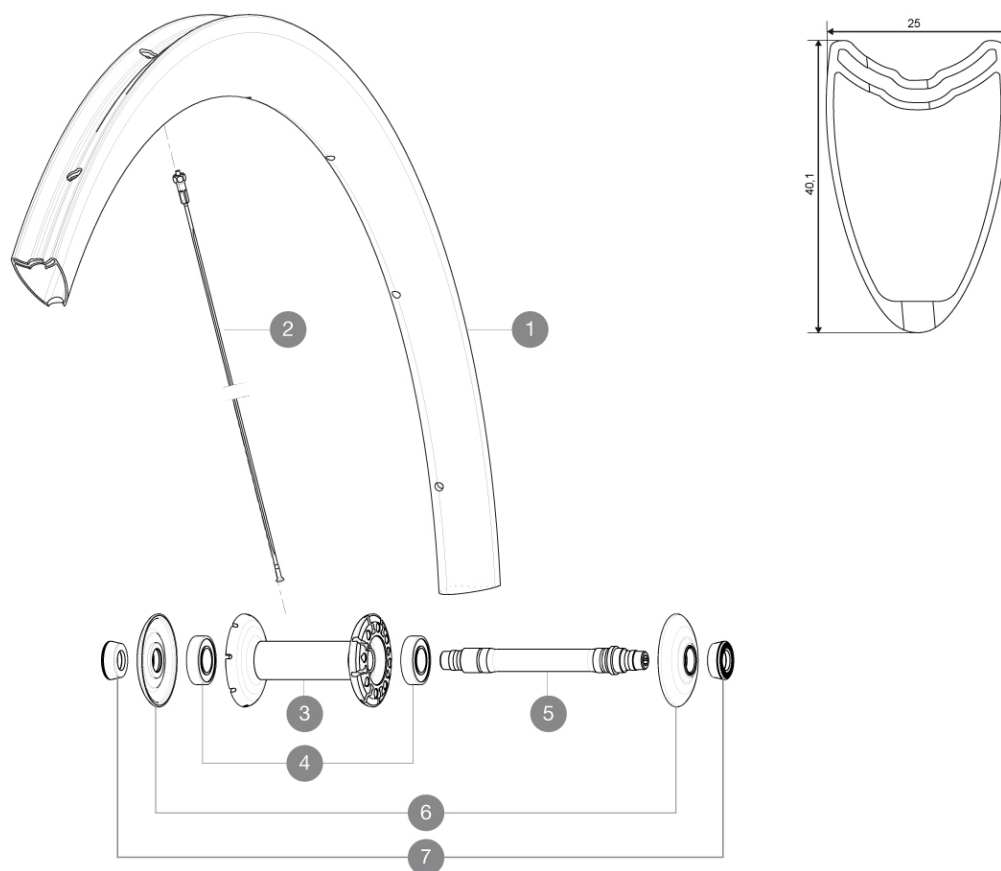


## REFERENCES WHEELS

328183 Cosmic Carbone 40 T Ft



### RIMS



&NBSP;:

1 L36645500 KIT FRONT RIM CC 40 TUBULAR

### SPOKES

2 L36645100 KIT 10 AERO FT/NDS CC 40 T BLACK SPOKE 272mm

### HUB SHELLS

3	N/A	HUB BODY
4	LM4007800	FRONT HUB BEARINGS 6901 x 2
5	L30870000	FRONT AXLE ROAD RIM BRAKING QRM +
6	L32985700	HUB CAP & ADJUSTING NUT CXR 80
7	L35117300	FT/RR FORK REST R-SYS/CC ULTIMATE > 2013/KSY PRO CARB T

**MAVIC** *Cosmic Carbone 40 T***DELIVERED WITH**

BR601 quick releases	
Wheelbags	
Carbon brake pads	
Computer magnet (front wheel)	
Multifonction adjustment wrench	
User guide	

**Specifications****RIMS**

- **Material** : 100% Unidirectional carbon fiber
- **Height** : 40 mm
- **Drilling** : traditional
- **Brake track** : carbon
- **Valve hole diameter** : 6.5 mm
- **Tyre** : tubular
- **ETRTO size** : 28" tubular
- **Recommended tyre sizes** : 19 to 32 mm

**SPOKES**

- **Material** : steel
- **Shape** : straight pull, bladed, double butted
- **Nipples** : brass, ABS
- **Count** : front 16, rear 20
- **Lacing** : radial front and rear non-drive side, crossed 2 rear drive side

**WHEEL HUB**

- **Front and rear bodies** : carbon center tube and aluminum flanges
- **Axle material** : aluminum  
Adjustable sealed cartridge bearings
- **Freewheel** : FTS-L steel

**WHEEL WEIGHTS**

Wheel weight 635