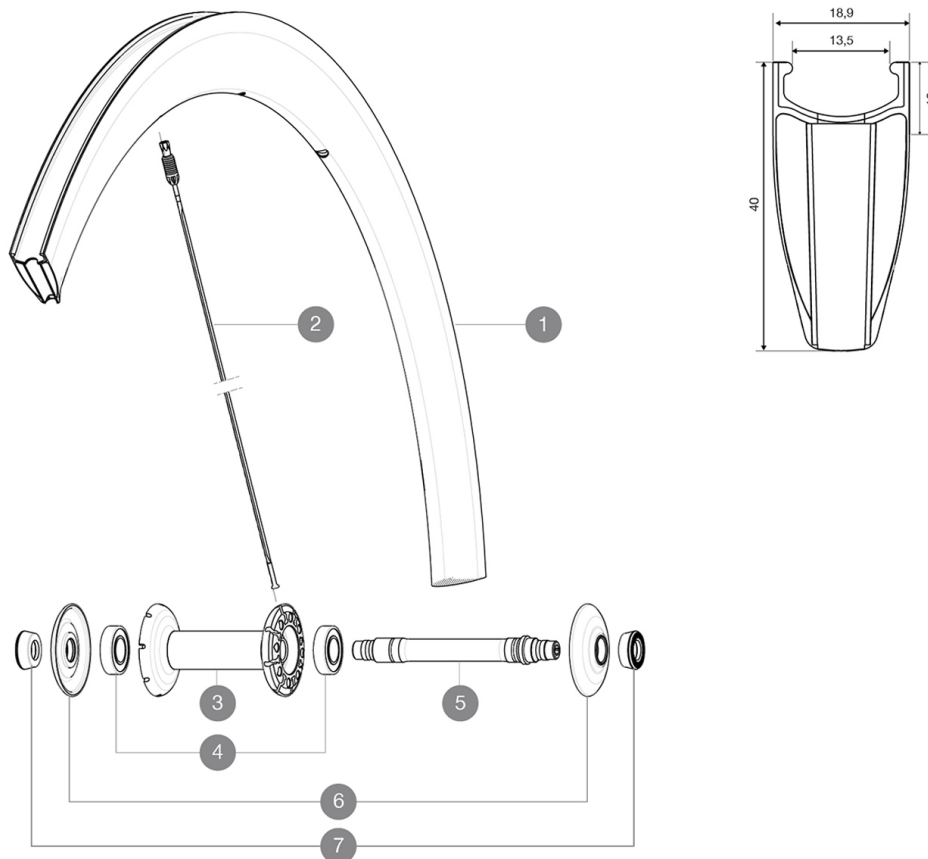


REFERENCES WHEELS

359914 Cosmic Carbone 40 C Ft



RIMS



&NBSP;:

1	L32978200	KIT FRONT RIM CC 40 CLINCHER
---	-----------	------------------------------

SPOKES

2	LV3664200	KIT 12 FRT/NDS STAINLESS SPOKE CC40 C 277mm
2	L3297900001	KIT 10 AERO FT/NDS CC 40 C BLACK SPOKE 277mm - while stock I

HUB SHELLS

3	N/A	HUB BODY
4	LM4007800	FRONT HUB BEARINGS 6901 x 2
5	L30870000	FRONT AXLE ROAD RIM BRAKING QRM +
6	L32985700	HUB CAP & ADJUSTING NUT CXR 80
7	L35117300	FT/RR FORK REST R-SYS/CC ULTIMATE > 2013/KSY PRO CARB T

MAVIC *Cosmic Carbone 40 C***DELIVERED WITH**

BR601 quick releases

Specifications**RIMS**

- **Material** : 3K carbon fibers with aluminum reinforced rim bed
- **Height** : 40 mm
- **Drilling** : co-molded Fore drilled inserts
- **Brake track** : carbon with TgMAX technology
- **Valve hole diameter** : 6.5 mm
- **Tyre** : clincher
- **ETRTO size** : 622x13C
- **Recommended tyre sizes** : 19 to 28 mm

SPOKES

- **Material** : steel
- **Shape** : straight pull, bladed, double butted
- **Nipples** : Fore integrated aluminum
- **Count** : 20 front and rear
- **Lacing** : radial front and rear non-drive side, crossed 2 rear drive side

WHEEL HUB

- **Front and rear bodies** : carbon center tube and aluminum flanges
 - **Axle material** : aluminum
- Sealed cartridge bearings
- **Freewheel** : FTS-L steel

WHEEL WEIGHTS

Wheel weight 670