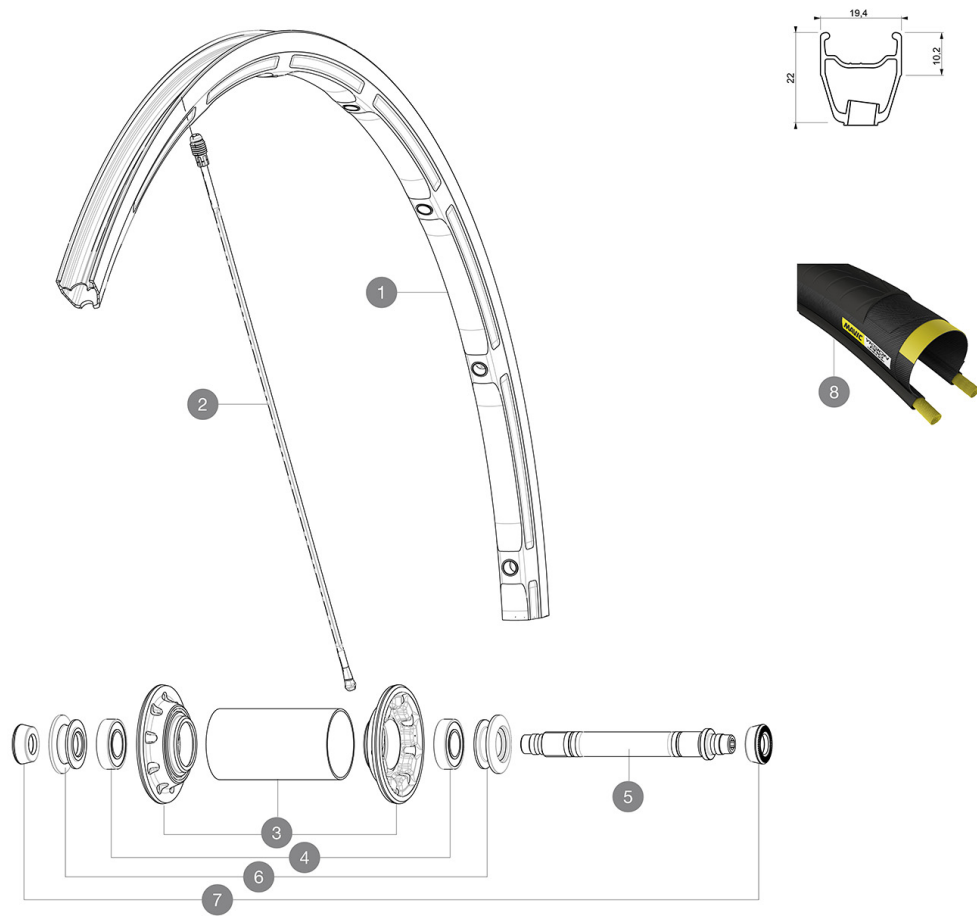


REFERENCES WHEELS



RIMS



&NBSP;:

1 L33000100 KIT FRONT KSYRIUM SLS CLINCHER RIM

SPOKES

2 L33000300 KIT 10 FT KSYRIUM SLS C/T BLK SPK 283,5mm

HUB SHELLS

3	N/A	HUB BODY
4	LM4007800	FRONT HUB BEARINGS 6901 x 2
5	L32999800	FRONT AXLE KIT R-SYS/KSYRIUM SL/SLS 2013
6	LM4075900	ADJUSTING BEARING NUT + FRONT CAP
7	L35117300	FT/RR FORK REST R-SYS/CC ULTIMATE > 2013/KSY PRO CARB T

TYRES

8 L37805300 YksionProGripLinkWH

MAVIC Ksyrium SLS

DELIVERED WITH

BR601 quick releases	
BR601 quick releases	
Computer magnet (front wheel)	
Computer magnet (front wheel)	
Multifonction adjustment wrench	
Multifonction adjustment wrench	
User guide	
User guide	

Specifications

RIMS

- **Material** : Mxstal
- **Material** : Mxstal
- **Height** : front 22 mm, rear 25 mm asymmetrical
- **Height** : front 22 mm, rear 25 mm asymmetrical
- **Joint** : SUP
- **Joint** : SUP
- **Drilling** : Fore
- **Drilling** : Fore
- **Brake track** : UB Control
- **Brake track** : UB Control
- **Weight reduction** : ISM 3D
- **Weight reduction** : ISM 3D
- **Valve hole diameter** : 6.5 mm
- **Valve hole diameter** : 6.5 mm
- **Tyre** : clincher or tubular
- **Tyre** : clincher or tubular
- **ETRTO size** : 622x15C
- **ETRTO size** : 622x15C
- **Recommended tyre sizes** : 19 to 32 mm
- **Recommended tyre sizes** : 19 to 32 mm

SPOKES

- **Material** : Zicral
- **Material** : Zicral
- **Shape** : straight pull, bladed, front double butted
- **Shape** : straight pull, bladed, front double butted
- **Nipples** : Fore integrated aluminum
- **Nipples** : Fore integrated aluminum
- **Count** : front 18, rear 20
- **Count** : front 18, rear 20
- **Lacing** : front radial, rear Isopulse
- **Lacing** : front radial, rear Isopulse

WHEEL HUB

- **Front body** : carbon with aluminum flanges
 - **Front body** : carbon with aluminum flanges
 - **Rear body** : aluminum
 - **Rear body** : aluminum
 - **Axle material** : aluminum
 - **Axle material** : aluminum
- Adjustable sealed cartridge bearings
Adjustable sealed cartridge bearings
- **Freewheel** : FTS-L steel
 - **Freewheel** : FTS-L steel

WHEEL WEIGHTS

Wheel weight 605