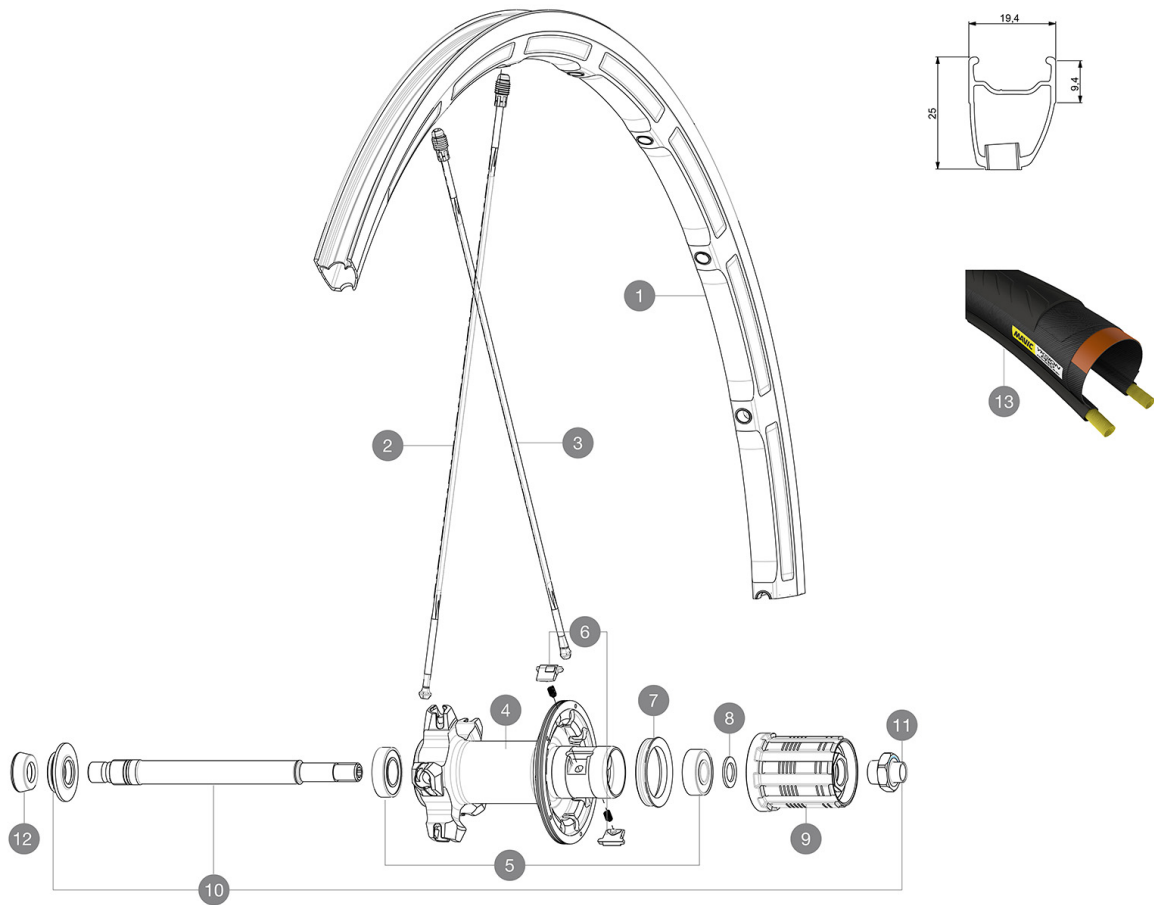


REFERENCES WHEELS



RIMS



&NBSP;:

1 L33000100 KIT REAR KSYRIUM SLS CLINCHER RIM

SPOKES

2 L12030400 KIT 10 NDS KSYRIUM SL11 BLACK SPOKE 298mm
3 L12030300 KIT 10 DS KSYRIUM SL11 BLACK SPOKE 275mm

HUB SHELLS

4 N/A HUB BODY
5 L33000000 REAR HUB B9+6901 BEARINGS 2013
6 LM4057800 FTSL PAWLS KIT (ROAD WHEELS)
7 L99500000 FTSL/FTSX FREEHUB BODY SEAL
8 L30872800 SET OF 3 INTERNAL SILVER SPACERS 9mm FTSL-L
9 L30871200 FTSL-L ROAD FREEWHEEL BODY ED11 8/9 compatible
9 L30871100 FTSL-L ROAD FREEWHEEL BODY HG11 8/9 compatible
10 LV2250500 KIT REAR AXLE KSYRIUM SLE/SLS/ELITE/PRO EXALITH/ALLROAD ELIT
11 LV2373100 KIT NUT FOR ROAD ALLOY THROUGH AXLE 9mm
12 L35117300 FT/RR FORK REST R-SYS/CC ULTIMATE > 2013/KSY PRO CARB T

TYRES

13 L37805500 YksionProPowerLinkWH

MAVIC Ksyrium SLS

DELIVERED WITH

BR601 quick releases	
BR601 quick releases	
Computer magnet (front wheel)	
Computer magnet (front wheel)	
Multifonction adjustment wrench	
Multifonction adjustment wrench	
User guide	
User guide	

Specifications

RIMS

- **Material** : Mactal
- **Material** : Mactal
- **Height** : front 22 mm, rear 25 mm asymmetrical
- **Height** : front 22 mm, rear 25 mm asymmetrical
- **Joint** : SUP
- **Joint** : SUP
- **Drilling** : Fore
- **Drilling** : Fore
- **Brake track** : UB Control
- **Brake track** : UB Control
- **Weight reduction** : ISM 3D
- **Weight reduction** : ISM 3D
- **Valve hole diameter** : 6.5 mm
- **Valve hole diameter** : 6.5 mm
- **Tyre** : clincher or tubular
- **Tyre** : clincher or tubular
- **ETRTO size** : 622x15C
- **ETRTO size** : 622x15C
- **Recommended tyre sizes** : 19 to 32 mm
- **Recommended tyre sizes** : 19 to 32 mm

SPOKES

- **Material** : Zicral
- **Material** : Zicral
- **Shape** : straight pull, bladed, front double butted
- **Shape** : straight pull, bladed, front double butted
- **Nipples** : Fore integrated aluminum
- **Nipples** : Fore integrated aluminum
- **Count** : front 18, rear 20
- **Count** : front 18, rear 20
- **Lacing** : front radial, rear Isopulse
- **Lacing** : front radial, rear Isopulse

WHEEL HUB

- **Front body** : carbon with aluminum flanges
 - **Front body** : carbon with aluminum flanges
 - **Rear body** : aluminum
 - **Rear body** : aluminum
 - **Axle material** : aluminum
 - **Axle material** : aluminum
- Adjustable sealed cartridge bearings
Adjustable sealed cartridge bearings
- **Freewheel** : FTS-L steel
 - **Freewheel** : FTS-L steel

WHEEL WEIGHTS

Wheel weight 790