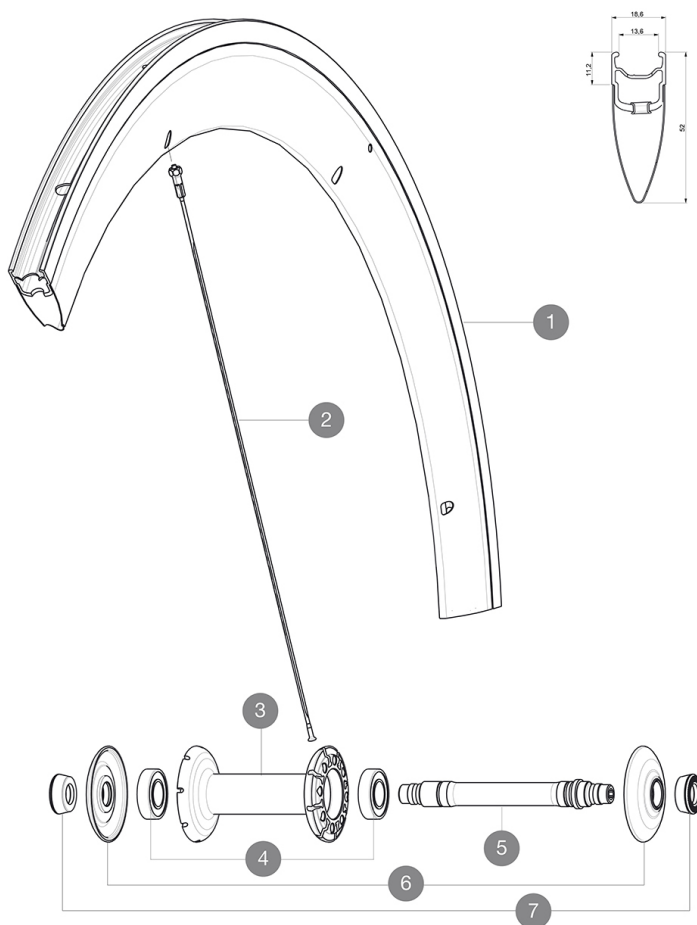


参照ホイール

P51101 CosmicCarbSLEPrBlackM



RIMS



&NBSP;:

1	LV2400200	FRONT COSMIC CARBONE SLE BLACK REFLECTIVE STICKER
---	-----------	---

SPOKES

2	L32976800	10 BLK AERO SPOKES FRONT/NON DRIVE SIDE CXR 60 C 289mm
---	-----------	--

HUB SHELLS

3	N/A	HUB BODY
4	LM4007800	FRONT HUB 6901 BEARINGS
5	L30870000	FRONT AXLE ROAD RIM BRAKING QRM +
6	L32985700	HUB CAP & ADJUST.NUT CXR 80
7	L35117300	FRONT OR REAR FORK REST KIT R-SYS 2013



Cosmic Carbone SLE

付属品

BR601 quick releases	
Wheelbags	
Exalith brake pads	
Multifonction adjustment wrench	
User guide	

Specifications

リム

- Material : Maxtal and 12K carbon fiber
- Height : 52 mm
- Joint : SUP
- Drilling : traditional
- Brake track : Exalith 2
- Weight reduction : ISM
- Valve hole diameter : 6.5 mm
- Tyre : clincher
- ETRTO size : 622x13C
- Recommended tyre sizes : 19 to 28 mm

スポーク

- Material : steel
- Shape : straight pull, bladed, double butted
- Nipples : front aluminum, rear brass, ABS
- Count : front 16, rear 20
- Lacing : radial front and rear non-drive side, crossed 2 rear drive side

ホイールハブ

- Front and rear bodies : aluminum
- Axle material : aluminum
- Adjustable sealed cartridge bearings
- Freewheel : FTS-L steel

ホイールの重み

730