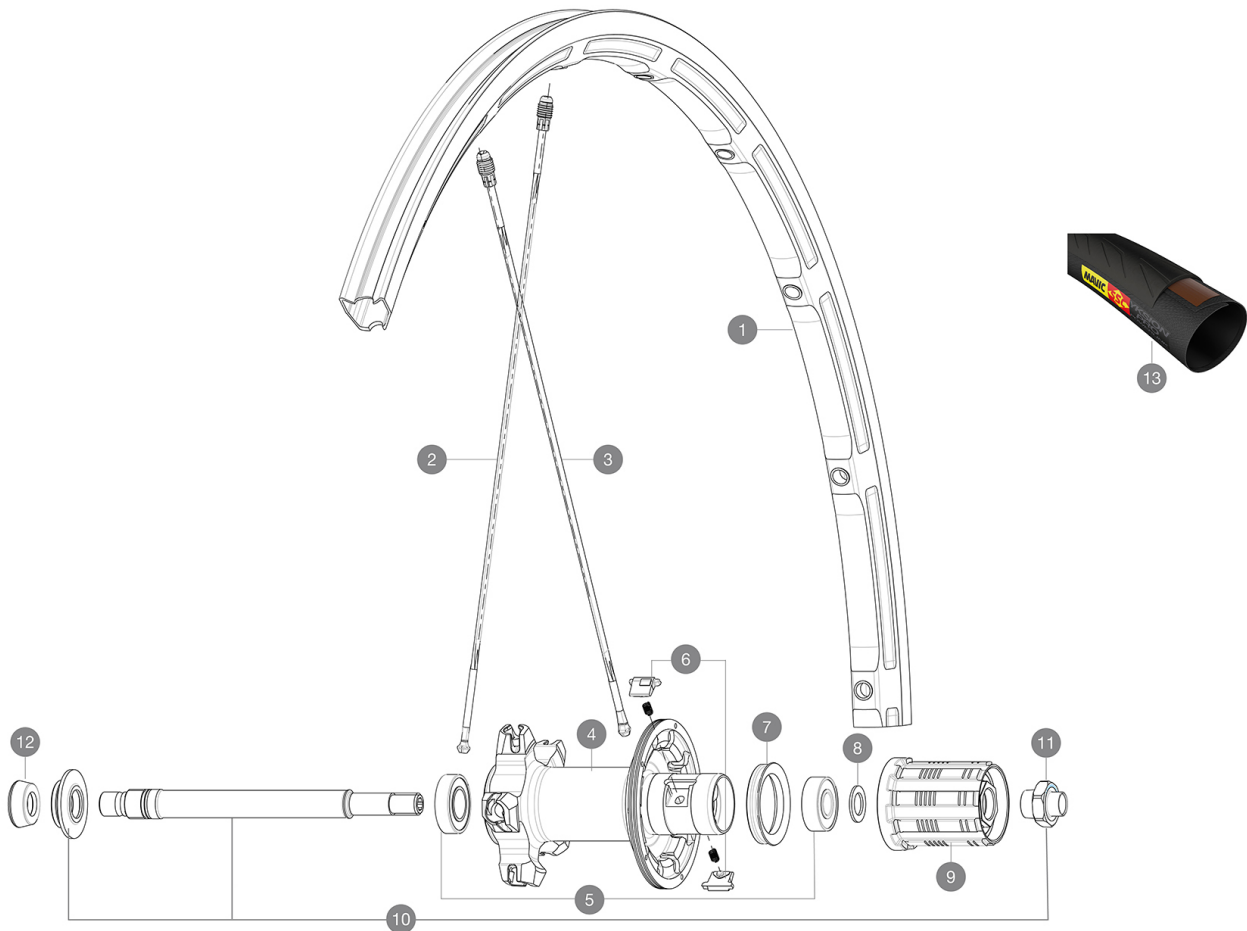


REFERENCES WHEELS



RIMS



&NBSP;:

1 L33002100 KIT REAR KSYRIUM SLS TUBULAR RIM

SPOKES

2 L35360000 KIT 10 NDS KSYRIUM SLS T BLK SPK 301,5mm
3 L35359900 KIT 10 DS KSYRIUM SLS T BLK SPK 277mm

HUB SHELLS

4 N/A HUB BODY
5 L33000000 REAR HUB B9+6901 BEARINGS 2013
6 LM4057800 FTSL PAWLS KIT (ROAD WHEELS)
7 L99500000 FTSL/FTSX FREEHUB BODY SEAL
8 L30872800 SET OF 3 INTERNAL SILVER SPACERS 9mm FTSL
9 L30871200 FTSL-L ROAD FREEWHEEL BODY ED11 8/9 compatible
9 L30871100 FTSL-L ROAD FREEWHEEL BODY HG11 8/9 compatible
10 LV2250500 KIT REAR AXLE KSYRIUM SLE/SLS/ELITE/PRO EXALITH/ALLROAD ELIT
11 LV2373100 KIT NUT FOR ROAD ALLOY THROUGH AXLE 9mm
12 L35117300 FT/RR FORK REST R-SYS/CC ULTIMATE > 2013/KSY PRO CARB T

TYRES

13 L37804600 Yksion ProPowerTub SSC

MAVIC Ksyrium SLS T

DELIVERED WITH

BR601 quick releases	
Computer magnet (front wheel)	
Multifonction adjustment wrench	
User guide	

Specifications

RIMS

- **Material** : Mxstal
- **Height** : 22mm
- **Joint** : SUP
- **Drilling** : Fore
- **Brake track** : UB Control
- **Weight reduction** : ISM 3D
- **Valve hole diameter** : 6.5 mm
- **Tyre** : tubular
- **ETRTO size** : 28" tubular
- **Recommended tyre sizes** : 19 to 32 mm

SPOKES

- **Material** : Zicral
- **Shape** : straight pull, bladed, front double butted
- **Nipples** : Fore integrated aluminum
- **Count** : front 18, rear 20
- **Lacing** : front radial, rear Isopulse

WHEEL HUB

- **Front body** : carbon with aluminum flanges
 - **Rear body** : aluminum
 - **Axle material** : aluminum
- Adjustable sealed cartridge bearings
- **Freewheel** : FTS-L steel

WHEEL WEIGHTS

775