



Ksyrium Pro Carbon SL C

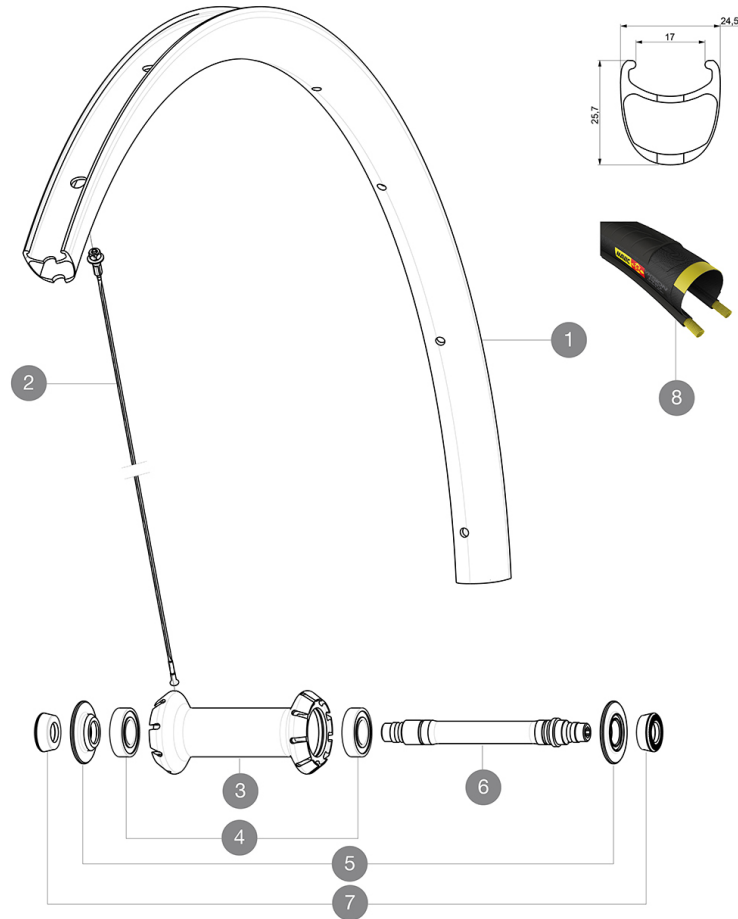
ASTM CATEGORY 1 : road only

For a longer longevity of the wheel, Mavic recommends that the total weight supported by the wheels doesn't exceed 120kg, bike included

Recommended tyre sizes: 25 to 52 mm
Max. Pressure: 25mm 7.7 bars - 110 PSI

参照ホイール

F27401 KProCarbSL C Ft



RIMS



バルブ穴径 (MM) : 6,5 :

1	LV2737300	KIT FRONT RIM KSYRIUM PRO CARBON SL UST
1	LV2401400	KIT FRT RIM KSYRIUM PRO CARBON SL Clincher - while stock las
	LV3720100	25mm UST Tape for 19 to 22mm Road Rims
	LV2690100	KIT CARBON RIM TAPE 21x622mm (SPECIAL RIM TAPE)

SPOKES

2	LV3663800	KIT 12 FRT KSYR PRO CARB SL C/UST/T & NDS COSMIC PRO CARB
2	LV227420001	9 FT 9 FT BTD SPK 285mm/ALU NIPPLE/WASHER - while stock last

HUB SHELLS

4	LM4007800	FRONT HUB 6901 BEARINGS
5	LV2252500	FRONT SETTING NUT & DUST PROTECTOR MY16
6	L30870000	FRONT AXLE ROAD RIM BRAKING QRM +
7	L35117300	FRONT OR REAR FORK REST KIT R-SYS 2013

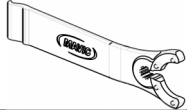
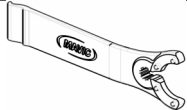
TYRES

8	L37805200	Yksion Pro GripLink SSC 25
---	-----------	----------------------------

MAVIC

Ksyrium Pro Carbon SL C

付属品

BR601 quick releases	
Rim tape	
Carbon brake pads	
Carbon brake pads	
Carbon brake pads	
User guide	
Rim tape	
Rim tape	
Multifunction adjustment wrench (325 423 01) 1	
Multifunction adjustment wrench (325 423 01) 1	
User guide	
User guide	

COMPATIBILITY

Freewheel: Shimano/Sram or Campagnolo, convertible to XD-R with optional driver body	
Front axle: Quick Release only	
Front axle: Quick Release only	
Rear axle: Quick Release only	
Rear axle: Quick Release only	

Specifications

リム

- Material : 3K carbon fibers
- Height : 25mm
- Material : 3K carbon fibers
- Material : 3K carbon fibers
- Drilling : traditional
- Brake track : carbon with TgMAX technology
- Valve hole diameter : 6.5 mm
- Tyre : clincher
- ETRTO size : 622x17C
- Height : 25mm
- Height : 25mm
- Recommended tyre sizes : 25 to 52 mm
- Drilling : traditional
- Drilling : traditional
- Brake track : carbon with TgMAX technology
- Brake track : carbon with TgMAX technology
- Brake track : carbon
- Brake track : carbon
- Valve hole diameter : 6.5 mm
- Valve hole diameter : 6.5 mm
- Tyre : clincher
- Tyre : clincher
- Internal width : 17 mm
- Internal width : 17 mm
- ETRTO size : 622x17C
- ETRTO size : 622x17C

スポーク

ホイールハブ

- Front and rear bodies : aluminum
- Axle material : aluminum
- Sealed cartridge bearings
- Freewheel : Instant Drive 360
- Front and rear bodies : aluminum
- Front and rear bodies : aluminum
- Axle material : aluminum
- Axle material : aluminum
- Sealed cartridge bearings
- Sealed cartridge bearings
- Freewheel : Instant Drive 360
- Freewheel : Instant Drive 360

VERSIONS

- Color : Black only
- Color : Black only

ホイールの重み

ホイール重量 (クイックリリースおよびクリンチャー/チューブラーを除く) (g) : 615