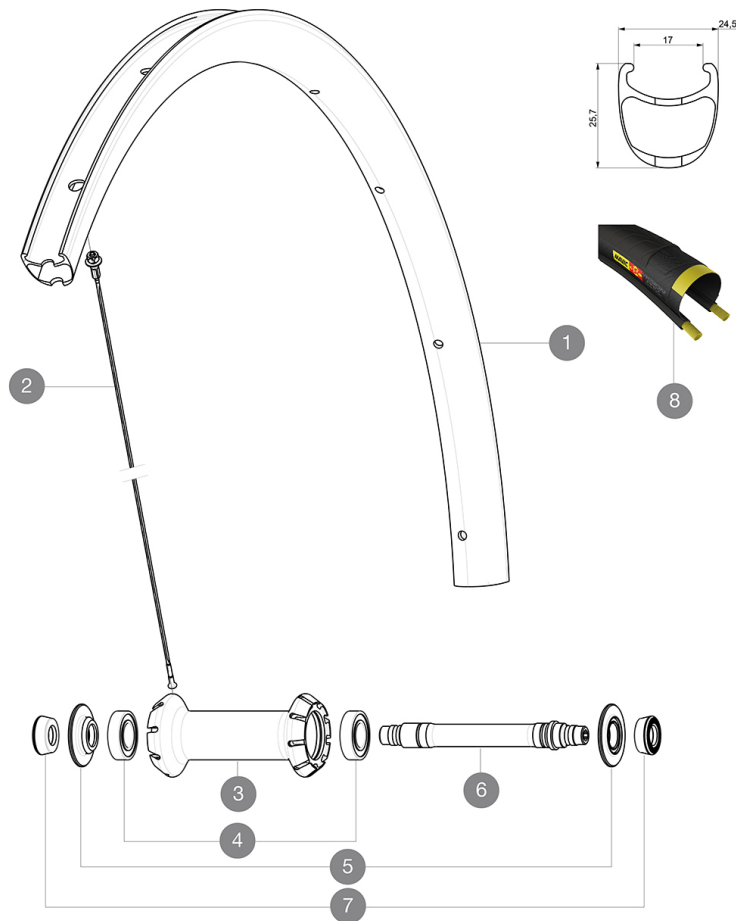


MAVIC Ksyrium Pro Carbon SL C

ASTM CATEGORY 1 : road only
Recommended weight limit : 120kg
Recommended tyre sizes: 25 to 52 mm
Max. Pressure: 25mm 7.7 bars - 110 PSI

REFERENCES WHEELS

F27401 KProCarbSL C Ft



RIMS



VALVE HOLE Ø (MM): 6,5 :

1	LV2737300	KIT FRONT RIM KSYRIUM PRO CARBON SL UST
1	LV2401400	KIT FRT RIM KSYRIUM PRO CARBON SL Clincher - while stock las
	LV3720100	25mm UST Tape for 19 to 22mm Road Rims
	LV2690100	KIT CARBON RIM TAPE 21x622mm - FOR CARBON RIM

SPOKES

2	LV3663800	KIT 12 FRT KSYR PRO CARB SL C/UST/T & NDS COSMIC PRO CARB SL
2	LV227420001	KIT 9 FT BTD SPK 285mm/ALU NIPPLE/WASHER - while stock last

HUB SHELLS

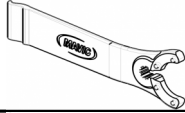
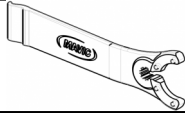
4	LM4007800	FRONT HUB BEARINGS 6901 x 2
5	LV2252500	FRONT SETTING NUT & DUST PROTECTOR MY16
6	L30870000	FRONT AXLE ROAD RIM BRAKING QRM +
7	L35117300	FT/RR FORK REST R-SYS/CC ULTIMATE > 2013/KSY PRO CARB T

TYRES

8	L37805200	YksionProGripLinkSSC
---	-----------	----------------------

MAVIC Ksyrium Pro Carbon SL C

DELIVERED WITH

BR601 quick releases	
Rim tape	
Carbon brake pads	
Carbon brake pads	
Carbon brake pads	
User guide	
Rim tape	
Rim tape	
Multifonction adjustment wrench (325 423 01) 1	
Multifonction adjustment wrench (325 423 01) 1	
User guide	
User guide	

COMPATIBILITY

Freewheel: Shimano/Sram or Campagnolo, convertible to XD-R with optional driver body	
Front axle: Quick Release only	
Front axle: Quick Release only	
Rear axle: Quick Release only	
Rear axle: Quick Release only	

Specifications

RIMS

- **Material** : 3K carbon fibers
- **Height** : 25mm
- **Material** : 3K carbon fibers
- **Material** : 3K carbon fibers
- **Drilling** : traditional
- **Brake track** : carbon with TgMAX technology
- **Valve hole diameter** : 6.5 mm
- **Tyre** : clincher
- **ETRTO size** : 622x17C
- **Height** : 25mm
- **Height** : 25mm
- **Recommended tyre sizes** : 25 to 52 mm
- **Drilling** : traditional
- **Drilling** : traditional
- **Brake track** : carbon with TgMAX technology
- **Brake track** : carbon with TgMAX technology
- **Brake track** : carbon
- **Brake track** : carbon
- **Valve hole diameter** : 6.5 mm
- **Valve hole diameter** : 6.5 mm
- **Tyre** : clincher
- **Tyre** : clincher

WHEEL HUB

- **Front and rear bodies** : aluminum
- **Axle material** : aluminum
- Sealed cartridge bearings
- **Freewheel** : Instant Drive 360
- **Front and rear bodies** : aluminum
- **Front and rear bodies** : aluminum
- **Axle material** : aluminum
- **Axle material** : aluminum
- Sealed cartridge bearings
- Sealed cartridge bearings
- **Freewheel** : Instant Drive 360
- **Freewheel** : Instant Drive 360

VERSIONS

- **Color** : Black only
- **Color** : Black only

WHEEL WEIGHTS

Wheel weight 615