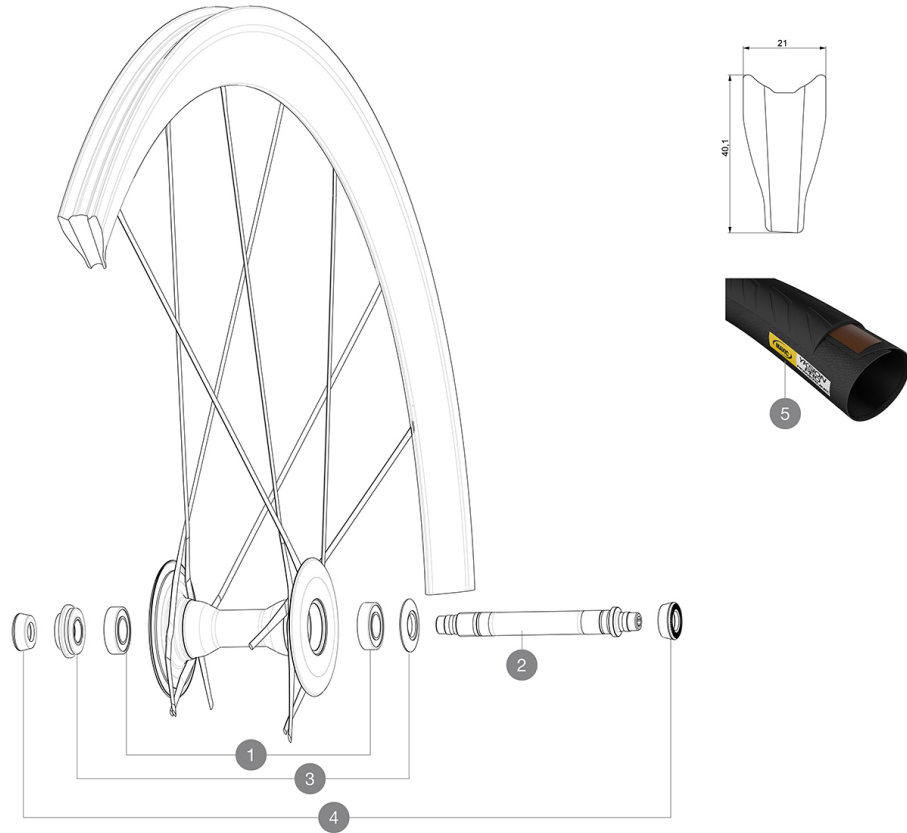


ASTM CATEGORY 1 : road only  
Recommended weight limit : 120kg

**REFERENCES WHEELS**

F33301 CosmicUlti16Ft



**HUB SHELLS**

<b>1</b>	LM4007800	FRONT HUB BEARINGS 6901 x 2
<b>2</b>	L36645800	FRONT AXLE COSMIC CARBON ULTIMATE from 2014
<b>3</b>	L36645900	FRT ADJUST NUT/CAP CARBON ULTIMATE from 2014
<b>4</b>	L35117300	FT/RR FORK REST R-SYS/CC ULTIMATE > 2013/KSY PRO CARB T

**TYRES**

<b>5</b>	L37804400	Yksion Pro GripTub SSC
----------	-----------	------------------------

# MAVIC Cosmic Ultimate T

## DELIVERED WITH

BR601 Titanium quick releases	
Carbon brake pads	
Multifonction adjustment wrench	
User guide	

## Specifications

### RIMS

- **Material** : 100% woven 12K carbon fiber
- **Height** : 40 mm
- **Drilling** : no holes, spokes molded to the rim
- **Brake track** : carbon with TgMAX technology
- **Valve hole diameter** : 6.5 mm
- **Tyre** : tubular
- **ETRTO size** : 28" tubular
- **Recommended tyre sizes** : 21 to 28 mm

### SPOKES

- **Material** : unidirectional carbon fiber
- **Shape** : R2R
- **Nipples** : brass, ABS
- **Count** : 20 front and rear
- **Lacing** : crossed 2 front and rear drive side, radial non drive side

### WHEEL HUB

- **Front body** : Front 100% carbon
  - **Rear body** : aluminum
  - **Axle material** : aluminum
- Adjustable sealed cartridge bearings
- **Freewheel** : FTS-L steel

### WHEEL WEIGHTS

Wheel weight 520