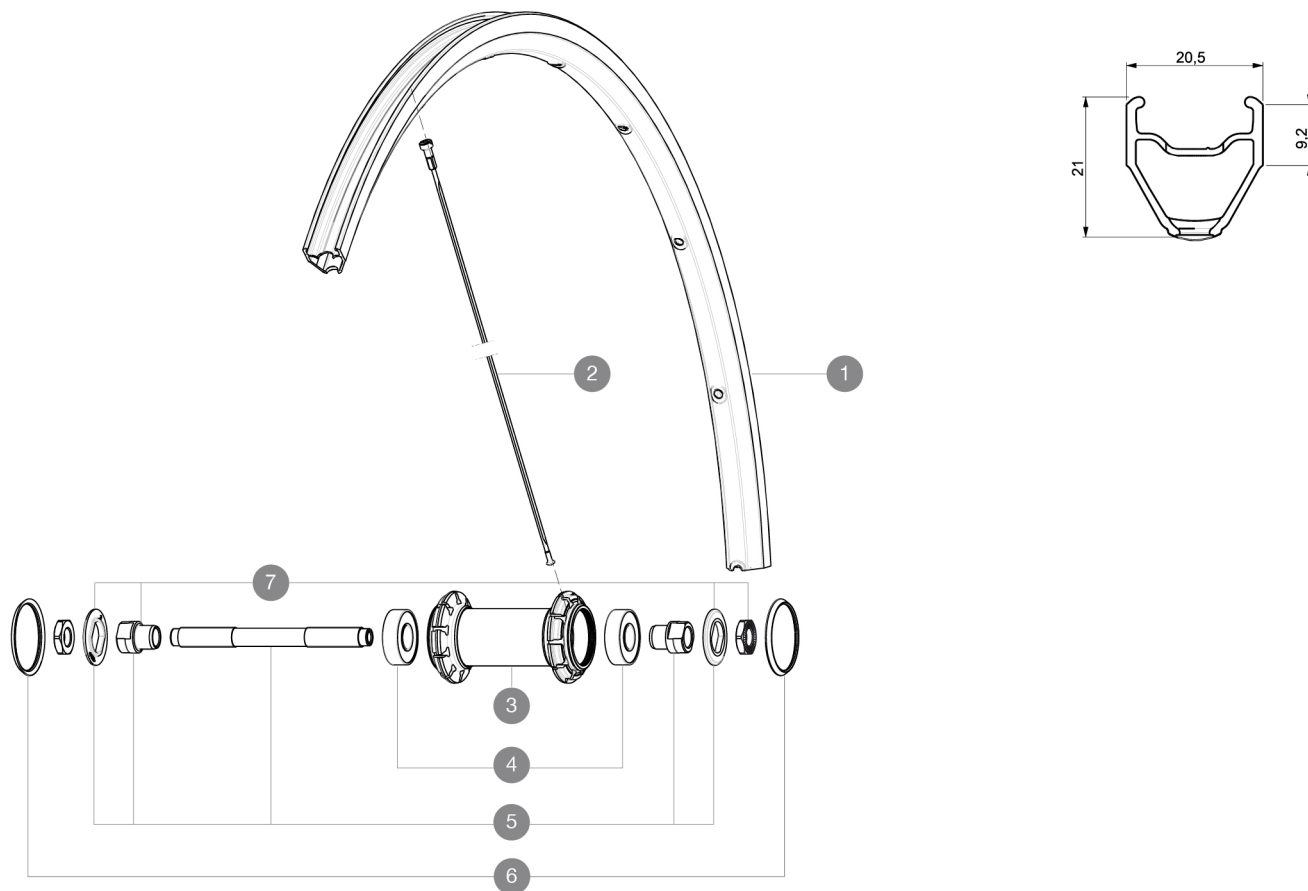


ASTM CATEGORY 2 : road and offroad with jumps less than 15cm  
 For a longer longevity of the wheel, Mavic recommends that the total weight supported by the wheels doesn't exceed 120kg, bike included  
 Recommended tyre sizes: 21 to 32 mm  
 Max. Pressure: 25/28mm 7.7 bars - 110 PSI

## 参照ホイール

F35101 Aksium Elite16Ft



### RIMS



バルブ穴径 ( MM ) : 6,5 :

1	LV2290700	KIT FRONT/REAR RIM AKSIUM ELITE
---	-----------	---------------------------------

### SPOKES

2	LV4160100	Kit 10 stainless spokes 285 Ft Ksyrium Equipe S/Ft & NDS Aks
2	L10844900	KIT 10 FT KSYRIUM EQ S/FT+NDS AKSIUM SPK 285mm - while stock

### HUB SHELLS

3	N/A	HUB BODY
4	LM4031800	HUB BEARING KIT 6001
5	L99603700	FRONT AXLE QRM ROAD 2008
6	N/A	HUB BODY
7	L99603800	SHORT EXPENSIBLE BEARING SUPPORTS > 2008



# Aksium Elite

## 付属品

BR101 quick releases	
Rim tape	
BR101 quick releases	
User guide	
Rim tape	
User guide	

## Specifications

### リム

- Material : S6000 Aluminum
- Height : 21 mm
- Joint : sleeved
- Drilling : traditional with H2 reinforcement
- Brake track : UB Control
- Valve hole diameter : 6.5 mm
- Tyre : clincher
- Material : S6000 Aluminum
- Height : 21 mm
- ETRTO size : 622x15C
- Recommended tyre sizes : 21 to 32 mm
- Joint : sleeved
- Drilling : traditional with H2 reinforcement
- Brake track : UB Control
- Valve hole diameter : 6.5 mm
- Tyre : clincher
- ETRTO size : 622x15C

### スポーク

- Material : steel
- Shape : straight pull, bladed
- Nipples : brass, ABS
- Count : 20 front and rear
- Material : steel
- Lacing : radial front and rear non-drive side, crossed 2 rear drive side
- Shape : straight pull, bladed
- Nipples : steel, ABS
- Count : 20 front and rear
- Lacing : radial front and rear non-drive side, crossed 2 rear drive side

### ホイールハブ

- Front and rear bodies : aluminum
- Axle material : steel
- Sealed cartridge bearings
- Freewheel : FTS-L steel
- Front and rear bodies : aluminum
- Axle material : steel
- Sealed cartridge bearings
- Freewheel : FTS-L steel

### ホイールの重み

ホイール重量 ( クイックリリー  
スおよびクリンチャー/チュー  
ブラーを除く ) ( g ) : 800