

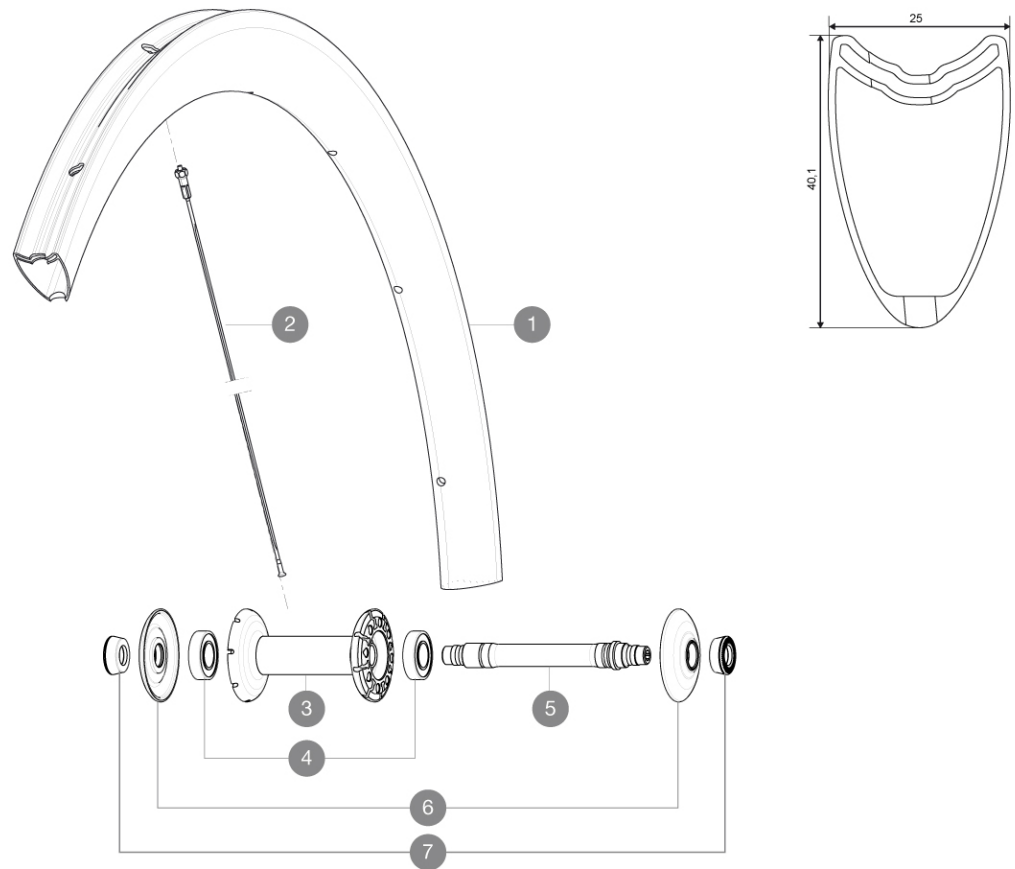
MAVIC Cosmic Carbone 40 T

1
2016
FRONT

ASTM CATEGORY 2 : road and offroad with jumps less than 15cm
Recommended weight limit : 120kg

REFERENCES WHEELS

F33501 CosmicCarb40TFt



RIMS



VALVE HOLE Ø (MM): 6,5 :

1 L36645500 KIT FRONT RIM CC 40 TUBULAR

SPOKES

2 L36645100 KIT 10 AERO FT/NDS CC 40 T BLACK SPOKE 272mm

HUB SHELLS

3	N/A	HUB BODY
4	LM4007800	FRONT HUB BEARINGS 6901 x 2
5	L30870000	FRONT AXLE ROAD RIM BRAKING QRM +
6	L32985700	HUB CAP & ADJUSTING NUT CXR 80
7	L35117300	FT/RR FORK REST R-SYS/CC ULTIMATE > 2013/KSY PRO CARB T

MAVIC *Cosmic Carbone 40 T***DELIVERED WITH**

BR601 quick releases	
Carbon brake pads	
Multifonction adjustment wrench	
User guide	

Specifications**RIMS**

- **Material** : 100% Unidirectional carbon fiber
- **Height** : 40 mm
- **Drilling** : traditional
- **Brake track** : carbon
- **Valve hole diameter** : 6.5 mm
- **Tyre** : tubular
- **ETRTO size** : 28" tubular
- **Recommended tyre sizes** : 23 to 32 mm

SPOKES

- **Material** : steel
- **Shape** : straight pull, bladed, double butted
- **Nipples** : brass, ABS
- **Count** : front 16, rear 20
- **Lacing** : radial front and rear non-drive side, crossed 2 rear drive side

WHEEL HUB

- **Front and rear bodies** : carbon center tube and aluminum flanges
 - **Axle material** : aluminum
- Adjustable sealed cartridge bearings
- **Freewheel** : FTS-L steel

WHEEL WEIGHTS

Wheel weight 635