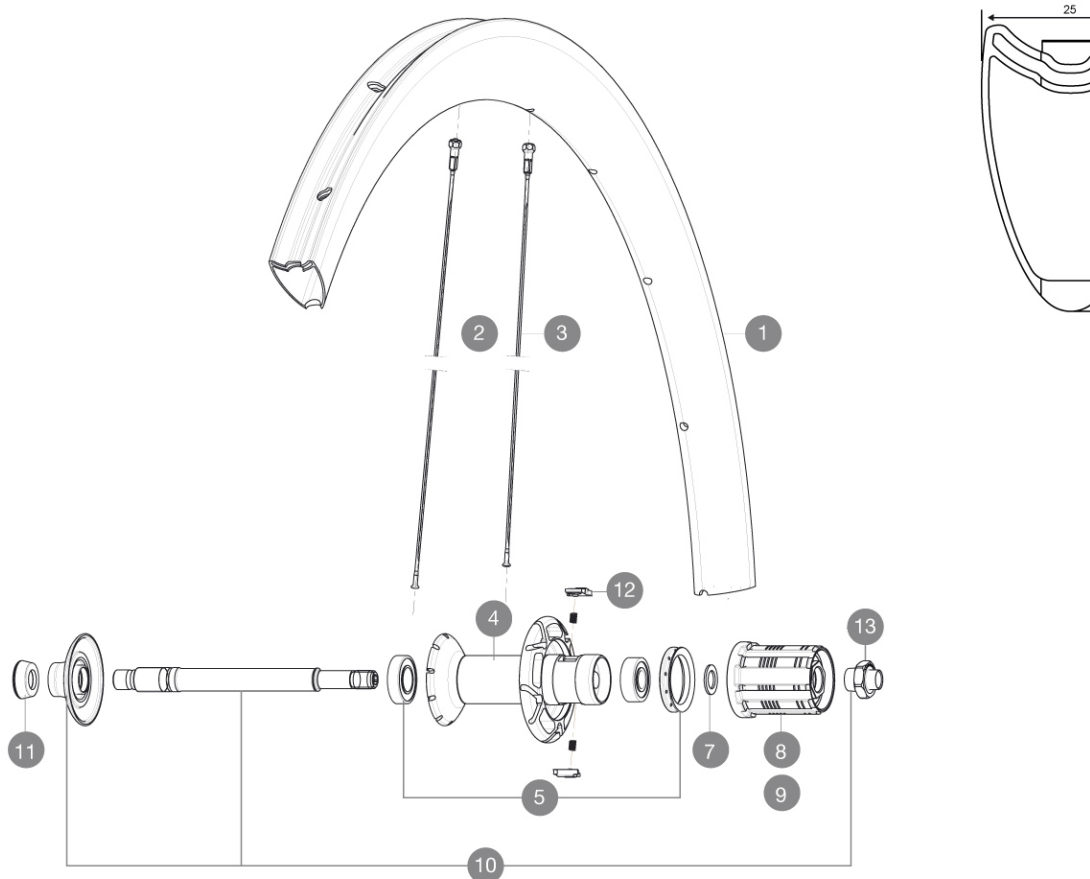


ASTM CATEGORY 2 : road and offroad with jumps less than 15cm
For a longer longevity of the wheel, Mavic recommends that the total weight supported by the wheels doesn't exceed 120kg, bike included

参照ホイール

R57501 CosmicCarb40TRr



RIMS



バルブ穴径 (MM) : 6,5 :

1	L36645600	REAR RIM CC 40 T
---	-----------	------------------

SPOKES

2	L36645000	10 BLK AERO SPOKES DRIVE SIDE CC 40 T 270mm
3	L36645100	10 BLK AERO SPOKES FRONT/NON DRIVE SIDE CC 40 T 272mm

HUB SHELLS

4	N/A	HUB BODY
5	L33000000	REAR HUB B9+6901 BEARINGS 2013
6	L99500000	FTSL/FTSX FREEHUB BODY SEAL
7	L30871100	FTS-L FREEWHEEL BODY HG11 2013 (8 or 9mm axle compatible)
8	L30871200	FTS-L FREEWHEEL BODY ED11 2013 (8 or 9mm axle compatible)
9	L30872800	SET OF 3 INTERNAL SILVER SPACERS 9mm FTS-L 2013
10	LV2250300	KIT REAR AXLE AERO HUB CXR/CC40/CC SLS/CC SLE/COSMIC
11	L35117300	FRONT OR REAR FORK REST KIT R-SYS 2013
12	LM4057800	FTSL PAWLS KIT (ROAD WHEELS)
13	LV2373100	KIT NUT FOR ROAD ALLOY THROUGH AXLE 9mm



Cosmic Carbone 40 T

付属品

BR601 quick releases	
Carbon brake pads	
Multifonction adjustment wrench	
User guide	

Specifications

リム

- Material : 100% Unidirectional carbon fiber
- Height : 40 mm
- Drilling : traditional
- Brake track : carbon
- Valve hole diameter : 6.5 mm
- Tyre : tubular
- ETRTO size : 28" tubular
- Recommended tyre sizes : 21 to 32 mm

スポーク

- Material : steel
- Shape : straight pull, bladed, double butted
- Nipples : brass, ABS
- Count : front 16, rear 20
- Lacing : radial front and rear non-drive side, crossed 2 rear drive side

ホイールハブ

- Front and rear bodies : carbon center tube and aluminum flanges
- Axle material : aluminum
- Adjustable sealed cartridge bearings
- Freewheel : FTS-L steel

ホイールの重み

ホイール重量 (クイックリリースおよびクリンチャー/チューブラーを除く) (g) : 800