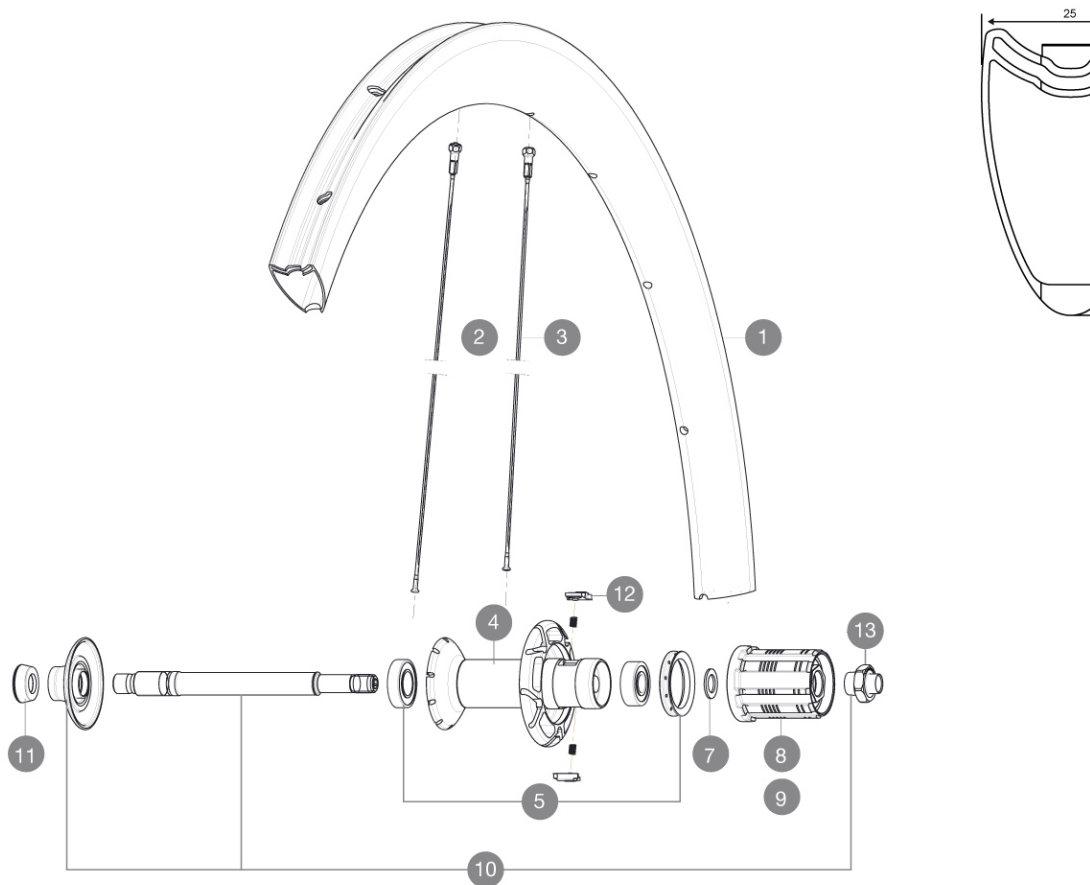


ASTM CATEGORY 2 : road and offroad with jumps less than 15cm
Recommended weight limit : 120kg

REFERENCES WHEELS

R57501 CosmicCarb40TRr



RIMS



VALVE HOLE Ø (MM): 6,5 :

1	L36645600	KIT REAR RIM CC 40 TUBULAR
---	-----------	----------------------------

SPOKES

2	L36645000	KIT 10 AERO DS CC 40 T BLACK SPOKE 270mm
3	L36645100	KIT 10 AERO FT/NDS CC 40 T BLACK SPOKE 272mm

HUB SHELLS

4	N/A	HUB BODY
5	L33000000	REAR HUB B9+6901 BEARINGS 2013
6	L99500000	FTSL/FTSX FREEHUB BODY SEAL
7	L30871100	FTS-L ROAD FREEWHEEL BODY HG11 8/9 compatible
8	L30871200	FTS-L ROAD FREEWHEEL BODY ED11 8/9 compatible
9	L30872800	SET OF 3 INTERNAL SILVER SPACERS 9mm FTS-L
10	LV2250300	KIT REAR AXLE AERO HUB CXR/CC40/CC SLS/CC SLE/COSMIC PRO CAR
11	L35117300	FT/RR FORK REST R-SYS/CC ULTIMATE > 2013/KSY PRO CARB T
12	LM4057800	FTSL PAWLS KIT (ROAD WHEELS)
13	LV2373100	KIT NUT FOR ROAD ALLOY THROUGH AXLE 9mm

MAVIC *Cosmic Carbone 40 T***DELIVERED WITH**

BR601 quick releases	
Carbon brake pads	
Multifonction adjustment wrench	
User guide	

Specifications**RIMS**

- **Material** : 100% Unidirectional carbon fiber
- **Height** : 40 mm
- **Drilling** : traditional
- **Brake track** : carbon
- **Valve hole diameter** : 6.5 mm
- **Tyre** : tubular
- **ETRTO size** : 28" tubular
- **Recommended tyre sizes** : 23 to 32 mm

SPOKES

- **Material** : steel
- **Shape** : straight pull, bladed, double butted
- **Nipples** : brass, ABS
- **Count** : front 16, rear 20
- **Lacing** : radial front and rear non-drive side, crossed 2 rear drive side

WHEEL HUB

- **Front and rear bodies** : carbon center tube and aluminum flanges
 - **Axle material** : aluminum
- Adjustable sealed cartridge bearings
- **Freewheel** : FTS-L steel

WHEEL WEIGHTS

Wheel weight 800