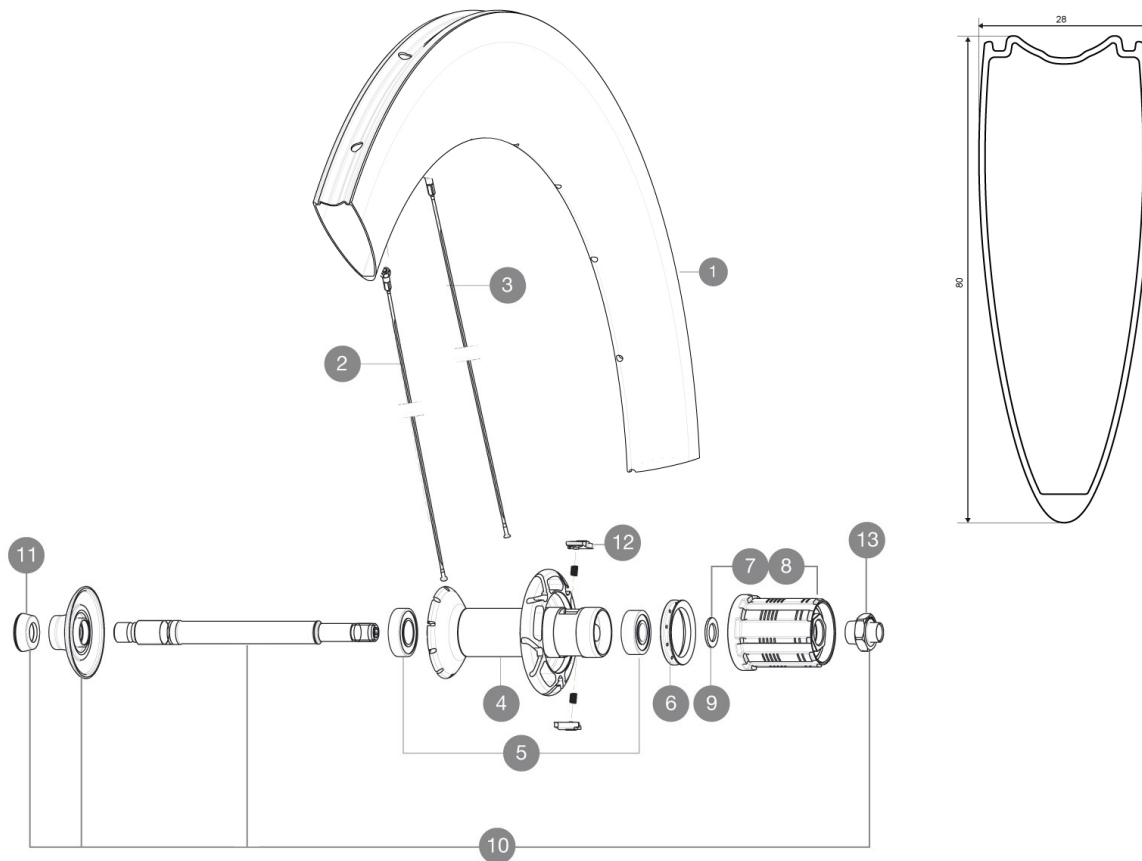


ASTM CATEGORY 1 : road only
Recommended weight limit : 120kg
Recommended tyre size: 23 mm
Max. Pressure: 23mm 8.7 bars - 125 psi

REFERENCES WHEELS

R98101	CXRUltimate80Tub16Pr+CD	R56901	CXRUlti80T16Pr
--------	-------------------------	--------	----------------



RIMS



VALVE HOLE Ø (MM): 6,5 :

1	L30860300	KIT REAR COSMIC CXR80 TUBULAR RIM
---	-----------	-----------------------------------

SPOKES

2	L30863200	KIT 10 FT/NDS CXR80/CC80 2013 BLK SPK 235mm
3	L30863100	KIT 10 DS CXR80/CC80 2013 BLACK SPOKE 232mm

HUB SHELLS

4	N/A	HUB BODY
5	L33000000	REAR HUB B9+6901 BEARINGS 2013
6	L99500000	FTSL/FTSX FREEHUB BODY SEAL
7	L30871100	FTS-L ROAD FREEWHEEL BODY HG11 8/9 compatible
8	L30871200	FTS-L ROAD FREEWHEEL BODY ED11 8/9 compatible
9	L30872800	SET OF 3 INTERNAL SILVER SPACERS 9mm FTS-L
10	LV2250300	KIT REAR AXLE AERO HUB CXR/CC40/CC SLS/CC SLE/COSMIC PRO CAR
11	L35117300	FT/RR FORK REST R-SYS/CC ULTIMATE > 2013/KSY PRO CARB T
12	LM4057800	FTSL PAWLS KIT (ROAD WHEELS)
13	LV2373100	KIT NUT FOR ROAD ALLOY THROUGH AXLE 9mm

MAVIC CXR Ultimate 80 T

DELIVERED WITH

BR601 quick releases	
BR601 quick releases	
CXR specific carbon brake pads	
Valve extender	
CXR specific carbon brake pads	
Multifunction adjustment wrench	
User guide	
Valve extender	
Multifunction adjustment wrench	
User guide	

COMPATIBILITY

Freewheel: Shimano/Sram, convertible to Campagnolo with optional driver body	
Freewheel: Shimano/Sram or Campagnolo, convertible to XD-R with optional driver body	
Front axle: Quick Release only	
Rear axle: Quick Release only	

Specifications

RIMS

- **Material** : 100% woven 3K carbon fiber
- **Height** : 80 mm, Width 27 mm with CX01 groves
- **Drilling** : traditional
- **Material** : 3K carbon fibers
- **Brake track** : carbon
- **Valve hole diameter** : 6.5 mm
- **Tyre** : tubular
- **ETRTO size** : 28" tubular
- **Recommended tyre size** : 23 mm
- **Height** : 80 mm, Width 27 mm with CX01 groves
- **Drilling** : traditional
- **Brake track** : carbon
- **Valve hole diameter** : 6.5 mm
- **Tyre** : tubular
- **ETRTO size** : 28" tubular

SPOKES

- **Material** : steel
- **Shape** : straight pull, bladed, double butted
- **Nipples** : aluminum, ABS
- **Count** : front 16, rear 20
- **Lacing** : radial front and rear non-drive side, crossed 2 rear drive side
- **Material** : steel
- **Shape** : straight pull, bladed, double butted
- **Nipples** : aluminum, ABS
- **Count** : front 16, rear 20
- **Lacing** : radial front and rear non-drive side, crossed 2 rear drive side

WHEEL HUB

- **Front and rear bodies** : carbon center tube and aluminum flanges
- **Front and rear bodies** : carbon center tube and aluminum flanges
- **Axle material** : aluminum
Adjustable sealed cartridge bearings
- **Freewheel** : FTS-L steel
- **Axle material** : aluminum
Adjustable sealed cartridge bearings
- **Freewheel** : FTS-L steel

VERSIONS

- **Color** : Black only

WHEEL WEIGHTS

Wheel weight 905