

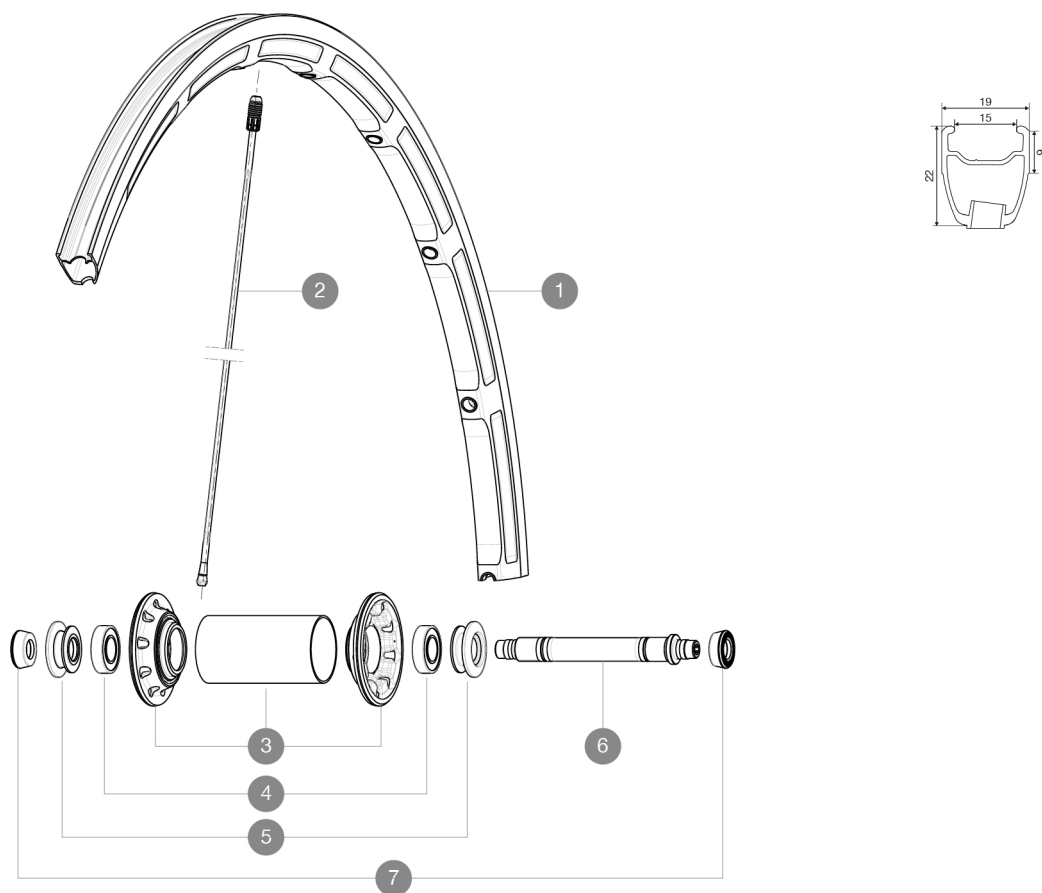
MAVIC Ksyrium Pro Exalith

1
2016
FRONT

ASTM CATEGORY 1 : road only
Recommended weight limit : 120kg

REFERENCES WHEELS

F34501 KsyProExalithFt



RIMS



VALVE HOLE Ø (MM): 6.5 :

1 LV2290300 KIT FRONT RIM KSYRIUM SLE

SPOKES

2 L33000300 KIT 10 FT KSYRIUM SLS C/T BLK SPK 283,5mm

HUB SHELLS

3	N/A	HUB BODY
4	LM4007800	FRONT HUB BEARINGS 6901 x 2
5	LM4075900	ADJUSTING BEARING NUT + FRONT CAP
6	L32999800	FRONT AXLE KIT R-SYS/KSYRIUM SL/SLS 2013
7	L35117300	FT/RR FORK REST R-SYS/CC ULTIMATE > 2013/KSY PRO CARB T

MAVIC *Ksyrium Pro Exalith***DELIVERED WITH**

BR601 quick releases	
Exalith brake pads	
Multifonction adjustment wrench	
User guide	

Specifications**RIMS**

- **Material** : Mactal
- **Height** : front 22 mm, rear 25 mm asymmetrical
- **Joint** : SUP
- **Drilling** : Fore
- **Brake track** : Exalith 2
- **Weight reduction** : ISM 3D
- **Valve hole diameter** : 6.5 mm
- **Tyre** : clincher
- **ETRTO size** : 622x15C
- **Recommended tyre sizes** : 23 to 32 mm

SPOKES

- **Material** : Zicral
- **Shape** : straight pull, bladed, front double butted
- **Nipples** : Fore integrated aluminum
- **Count** : front 18, rear 20
- **Lacing** : front radial, rear Isopulse

WHEEL HUB

- **Front body** : carbon with aluminum flanges
 - **Rear body** : aluminum
 - **Axle material** : aluminum
- Adjustable sealed cartridge bearings
- **Freewheel** : FTS-L steel

WHEEL WEIGHTS

Wheel weight 605