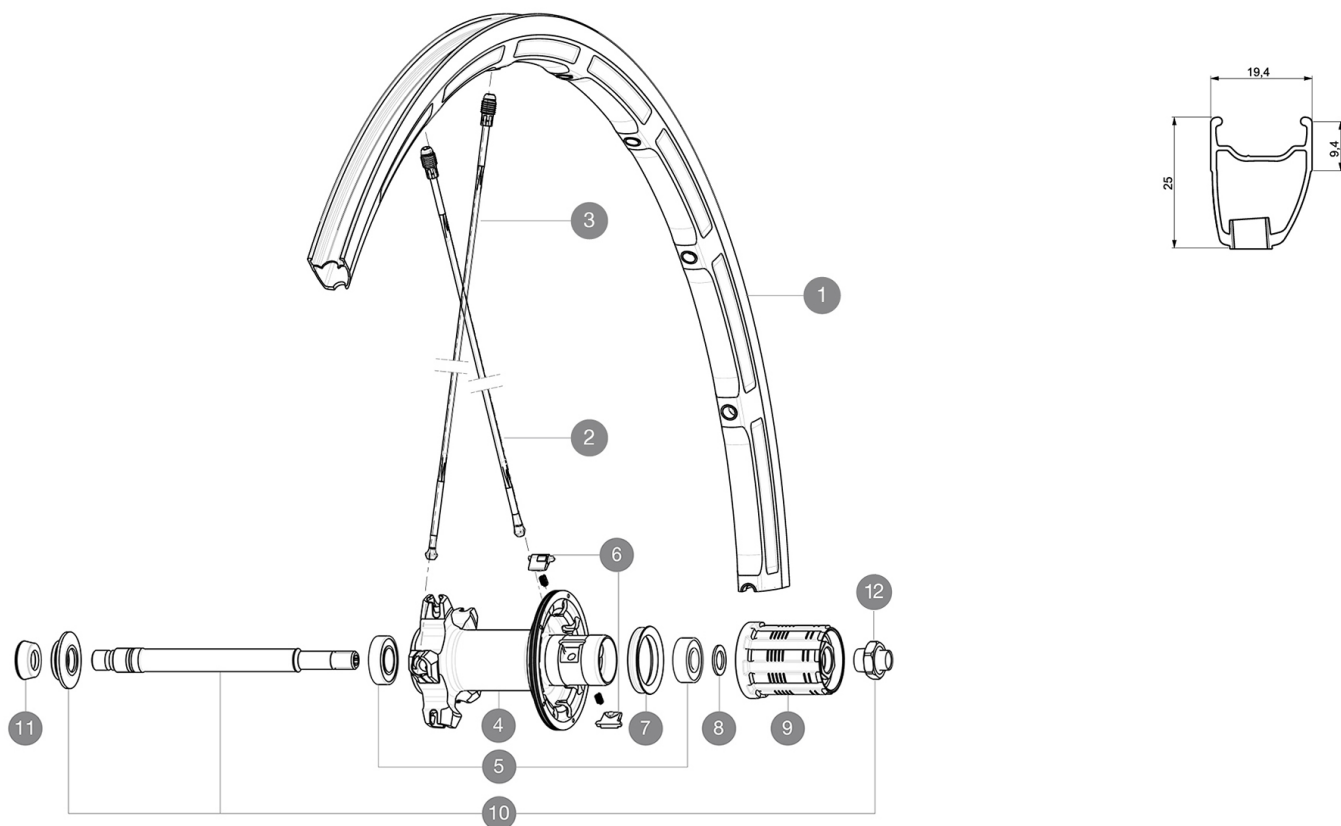


ASTM CATEGORY 1 : road only
Recommended weight limit : 120kg

REFERENCES WHEELS

R58501 KsyProExalithRr



RIMS



VALVE HOLE Ø (MM): 6.5 :

1	LV2290400	KIT REAR RIM KSYRIUM SLE
---	-----------	--------------------------

SPOKES

2	L12030300	KIT 10 DS KSYRIUM SL11 BLACK SPOKE 275mm
3	L12030400	KIT 10 NDS KSYRIUM SL11 BLACK SPOKE 298mm

HUB SHELLS

4	N/A	HUB BODY
5	L33000000	REAR HUB B9+6901 BEARINGS 2013
6	LM4057800	FTSL PAWLS KIT (ROAD WHEELS)
7	L99500000	FTSL/FTSX FREEHUB BODY SEAL
8	L30872800	SET OF 3 INTERNAL SILVER SPACERS 9mm FTS-L
9	L30871100	FTS-L ROAD FREEWHEEL BODY HG11 8/9 compatible
9	L30871200	FTS-L ROAD FREEWHEEL BODY ED11 8/9 compatible
10	LV2250500	KIT REAR AXLE KSYRIUM SLE/SL/ELITE/PRO EXALITH/ALLROAD ELIT
11	L35117300	FT/RR FORK REST R-SYS/CC ULTIMATE > 2013/KSY PRO CARB T
12	LV2373100	KIT NUT FOR ROAD ALLOY THROUGH AXLE 9mm

MAVIC *Ksyrium Pro Exalith***DELIVERED WITH**

BR601 quick releases	
Exalith brake pads	
Multifonction adjustment wrench	
User guide	

Specifications**RIMS**

- **Material** : Mactal
- **Height** : front 22 mm, rear 25 mm asymmetrical
- **Joint** : SUP
- **Drilling** : Fore
- **Brake track** : Exalith 2
- **Weight reduction** : ISM 3D
- **Valve hole diameter** : 6.5 mm
- **Tyre** : clincher
- **ETRTO size** : 622x15C
- **Recommended tyre sizes** : 23 to 32 mm

SPOKES

- **Material** : Zicral
- **Shape** : straight pull, bladed, front double butted
- **Nipples** : Fore integrated aluminum
- **Count** : front 18, rear 20
- **Lacing** : front radial, rear Isopulse

WHEEL HUB

- **Front body** : carbon with aluminum flanges
 - **Rear body** : aluminum
 - **Axle material** : aluminum
- Adjustable sealed cartridge bearings
- **Freewheel** : FTS-L steel

WHEEL WEIGHTS

Wheel weight 790