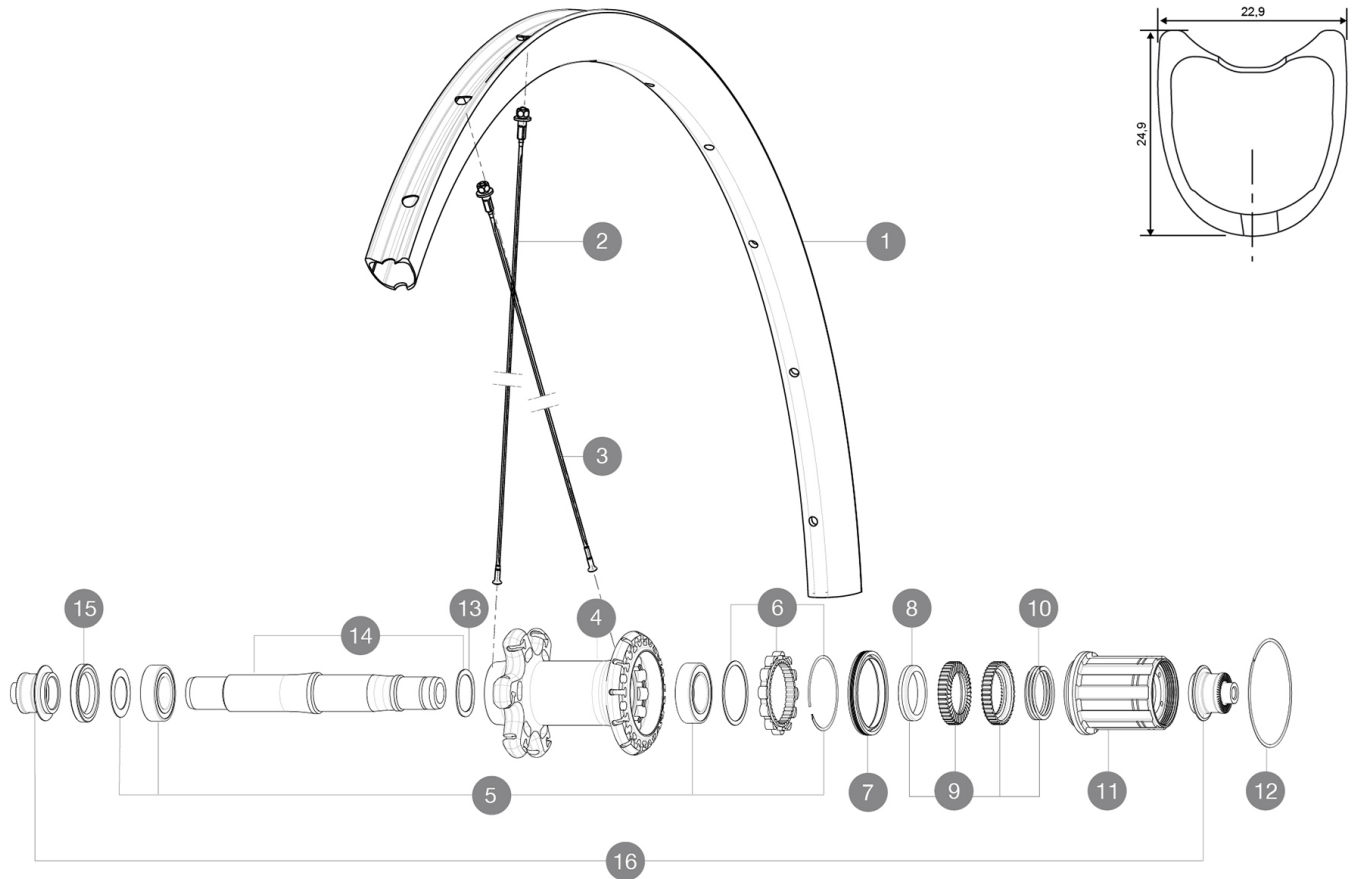


MAVIC Ksyrium Pro Carbon SL T

ASTM CATEGORY 2 : road and offroad with jumps less than 15cm
 Recommended weight limit : 120kg
 Recommended tyre sizes: 23 to 32 mm
 Recommended tyre sizes: 25 to 52 mm
 Max. Pressure: 23mm 8.7 bars - 125 psi, 25/28mm 7.7 bars - 110 psi
 Max. Pressure: 25mm 7.7 bars - 110 PSI

REFERENCES WHEELS

R62801 KProCarb SL T Rr



RIMS



VALVE HOLE Ø (MM): 6,5 :

1	LV2403200	KIT RR RIM KSYRIUM PRO CARBON SL TUB. - while stock last
1	LV2738600	KIT REAR RIM KSYRIUM PRO CARBON SL T 19

SPOKES

2	LV227150001	KIT 12 FT KSY PRO CARB SL D/NDS KSY PRO CARB SL SPK 291mm -
2	LV3663300	KIT 12 FRT KSYR PRO CARB SL UST Disc + NDS KSYR PRO CARB SL
3	LV3663200	KIT 12 DS KSY PRO CARB SL UST/UST Disc/C Disc/T Disc BUTTED
3	LV227140001	KIT 12 DS KSYRIUM PRO CARB SL T SPOKE 273mm - while stock la

HUB SHELLS

4	N/A	HUB BODY
5	LV2560100	KIT ID360 BEARINGS 15/26/7 + 17/28/7
6	LV2252700	KIT ID360 INSERT SHAPED EAR LOBE > 2017
7	LV2251600	KIT ID360 SEAL + GREASE
8	LV2500500	KIT ID360 3 PADS NOISE REDUCING
9	LV2251700	KIT ID360 2 RATCHETS + SPRING + GREASE
10	LV2251800	KIT 3 ID360 ROAD SPRINGS
11	LV3430100	HG11 Freewheel Body ID360
12	LV2252200	KIT 2 REAR HUB RETENTION RINGS 48mm
13	LV2251500	KIT 3 ID360 WAVE WASHERS
14	LV2251200	KIT ID360 AXLE UB

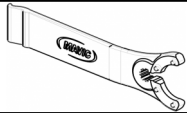
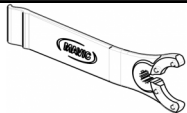
15	LV2250900	KIT ID360 HUB THREADED CAP for UB model (small)
16	LB4989400	ADAPTER Rr 9mm QR ID360 (6bolt)

TYRES

17	L37804600	Yksion ProPowerTub SSC
----	-----------	------------------------

MAVIC Ksyrium Pro Carbon SL T

DELIVERED WITH

BR601 quick releases	
BR601 quick releases	
BR601 quick releases	
Carbon brake pads	
Carbon brake pads	
Carbon brake pads	
User guide	
Multifunction adjustment wrench (325 423 01) 1	
Multifunction adjustment wrench (325 423 01) 1	
User guide	
User guide	

COMPATIBILITY

Freewheel: Shimano/Sram or Campagnolo, convertible to XD-R with optional driver body	
Freewheel: Shimano/Sram, convertible to Campagnolo and XD-R with optional driver bodies	
Front axle: Quick Release only	
Front axle: Quick Release only	
Rear axle: Quick Release only	
Rear axle: Quick Release only	

Specifications

RIMS

- **Material** : 100% woven 3K carbon fiber
- **Height** : 25mm
- **Material** : 3K carbon fibers
- **Material** : 3K carbon fibers
- **Drilling** : traditional
- **Brake track** : carbon with TgMAX technology
- **Valve hole diameter** : 6.5 mm
- **Tyre** : tubular
- **ETRTO size** : 28" tubular
- **Height** : 25mm
- **Height** : 25mm
- **Recommended tyre sizes** : 25 to 52 mm
- **Drilling** : traditional
- **Drilling** : traditional
- **Brake track** : carbon with TgMAX technology
- **Brake track** : carbon with TgMAX technology
- **Brake track** : carbon
- **Valve hole diameter** : 6.5 mm
- **Valve hole diameter** : 6.5 mm
- **Tyre** : tubular
- **Tyre** : tubular
- **ETRTO size** : 28" tubular
- **ETRTO size** : 28" tubular

SPOKES

- **Material** : steel
- **Shape** : straight pull, bladed, double butted
- **Nipples** : aluminum, ABS
- **Count** : front 18, rear 24
- **Material** : steel

WHEEL HUB

- **Front and rear bodies** : aluminum
- **Axle material** : aluminum
- Sealed cartridge bearings
- **Freewheel** : Instant Drive 360
- **Front and rear bodies** : aluminum
- **Front and rear bodies** : aluminum
- **Axle material** : aluminum
- **Axle material** : aluminum
- Sealed cartridge bearings
- **Front bearings** : adjustable sealed cartridge bearings (QRM+), Rear bearings auto adjust sealed cartridge bearings (QRM Auto)
- **Freewheel** : Instant Drive 360
- **Freewheel** : Instant Drive 360

VERSIONS

- **Color** : Black only
- **Color** : Black only

WHEEL WEIGHTS

Wheel weight 675