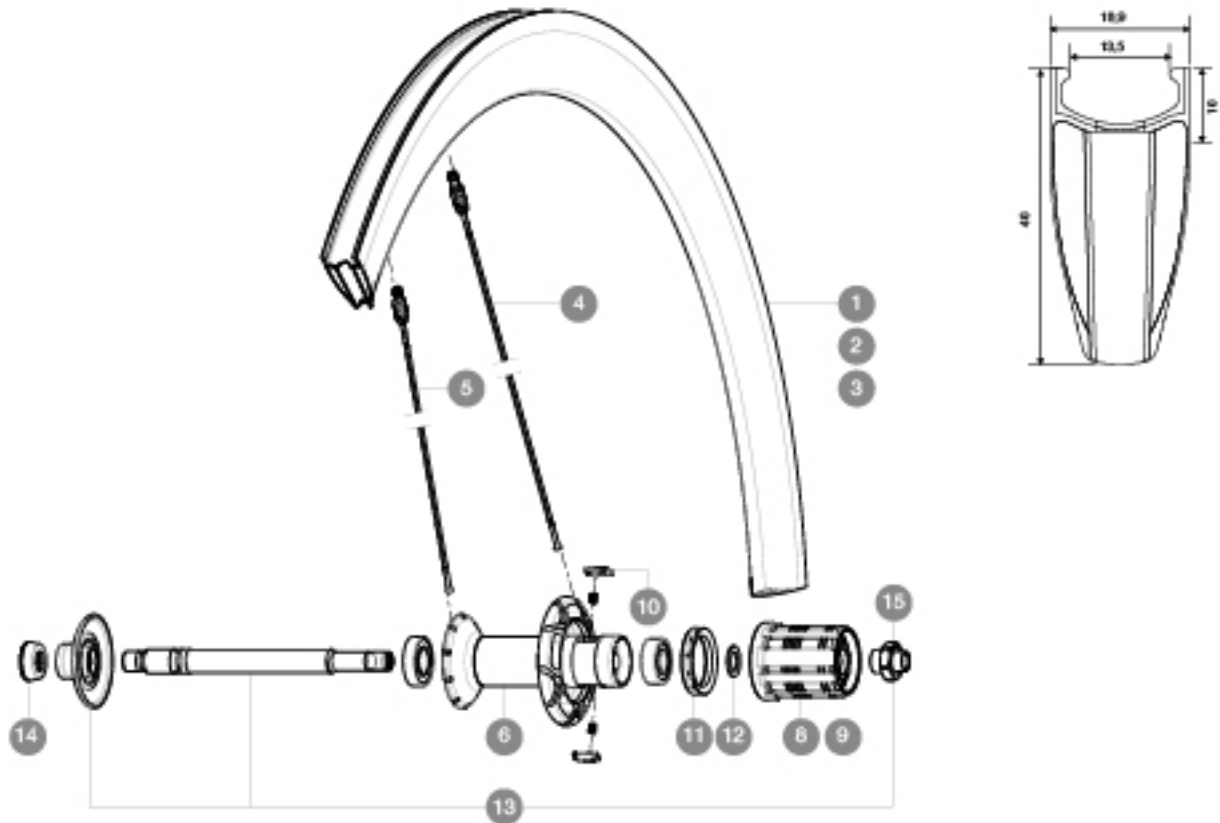


MAVIC Cosmic Carbone 40 Elite

ASTM CATEGORY 1 : road only
Recommended weight limit : 120kg
Recommended tyre sizes: 21 to 28 mm
Max. Pressure: 23mm 8.7 bars - 125 psi

REFERENCES WHEELS

R99451	CosCarb40Elite16Rr Black	R99453	CosCarb40Elite16Rr CHROME
R99452	CosCarb40Elite16Rr White		



RIMS



VALVE HOLE Ø (MM): 6.5 :

1	LV2400700	KIT REAR RIM CC 40 ELITE WHITE
2	LV2400900	KIT REAR RIM CC 40 ELITE BLACK
3	LV2404400	KIT REAR RIM CC40 ELITE CHROME

SPOKES

4	L3297890001	KIT 10 AERO DS CC 40 C BLACK SPOKE 275mm - while stock last
4	LV3664100	KIT 12 DRIVE SIDE STAINLESS SPOKE CC40 C 275mm
5	LV3664200	KIT 12 FRT/NDS STAINLESS SPOKE CC40 C 277mm
5	L3297900001	KIT 10 AERO FT/NDS CC 40 C BLACK SPOKE 277mm - while stock l

HUB SHELLS

6	N/A	HUB BODY
7	L33000000	REAR HUB B9+6901 BEARINGS 2013
8	L30871100	FTS-L ROAD FREEWHEEL BODY HG11 8/9 compatible
9	L30871200	FTS-L ROAD FREEWHEEL BODY ED11 8/9 compatible
10	LM4057800	FTSL PAWLS KIT (ROAD WHEELS)
11	L99500000	FTSL/FTSX FREEHUB BODY SEAL
12	L30872800	SET OF 3 INTERNAL SILVER SPACERS 9mm FTS-L
13	LV2250300	KIT REAR AXLE AERO HUB CXR/CC40/CC SLS/CC SLE/COSMIC PRO CAR
14	L35117300	FT/RR FORK REST R-SYS/CC ULTIMATE > 2013/KSY PRO CARB T
15	LV2373100	KIT NUT FOR ROAD ALLOY THROUGH AXLE 9mm

MAVIC *Cosmic Carbone 40 Elite***DELIVERED WITH**

BR301 quick releases	
Carbon brake pads	
BR301 quick releases	
Carbon brake pads	
Multifonction adjustment wrench	
User guide	
Multifonction adjustment wrench	
User guide	

Specifications**RIMS**

- **Material** : 3K carbon fibers with aluminum cooling system
- **Height** : 40 mm
- **Drilling** : co-molded Fore drilled inserts
- **Brake track** : carbon with TgMAX technology
- **Brake track** : carbon
- **Material** : 3K carbon fibers with aluminum cooling system
- **Valve hole diameter** : 6.5 mm
- **Tyre** : clincher
- **ETRTO size** : 622x13C
- **Recommended tyre sizes** : 21 to 28 mm
- **Height** : 40 mm
- **Drilling** : co-molded Fore drilled inserts
- **Brake track** : carbon with TgMAX technology
- **Brake track** : carbon
- **Valve hole diameter** : 6.5 mm
- **Tyre** : clincher
- **ETRTO size** : 622x13C

SPOKES

- **Material** : steel
- **Shape** : straight pull, bladed, double butted
- **Nipples** : Fore integrated aluminum
- **Count** : front 16, rear 20
- **Material** : steel
- **Lacing** : radial front and rear non-drive side, crossed 2 rear drive side
- **Shape** : straight pull, bladed, double butted
- **Nipples** : Fore integrated aluminum
- **Count** : front 16, rear 20
- **Lacing** : radial front and rear non-drive side, crossed 2 rear drive side

WHEEL HUB

- **Front and rear bodies** : aluminum
 - **Axle material** : aluminum
- Adjustable sealed cartridge bearings
- **Freewheel** : FTS-L steel
 - **Front and rear bodies** : aluminum
 - **Axle material** : aluminum
- Adjustable sealed cartridge bearings
- **Freewheel** : FTS-L steel

WHEEL WEIGHTS

Wheel weight 875