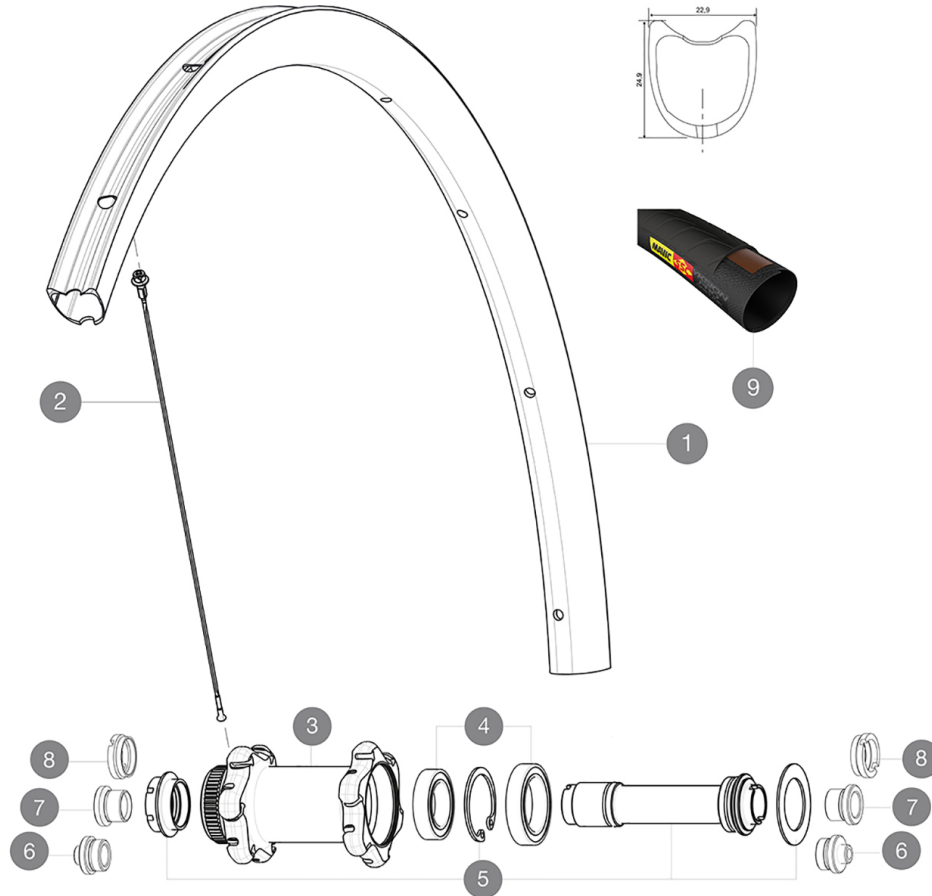


MAVIC Ksyrium Pro Carbon SL T Disc

ASTM CATEGORY 2 : road and offroad with jumps less than 15cm
 Recommended weight limit : 120kg
 Recommended tyre sizes: 23 to 32 mm
 Recommended tyre sizes: 25 to 52 mm
 Max. Pressure: 23mm 8.7 bars - 125 psi, 25/28mm 7.7 bars - 110 psi
 Max. Pressure: 25mm 7.7 bars - 110 PSI

REFERENCES WHEELS

F52501 KsyProCarbSLTDiscCLFt



RIMS



VALVE HOLE Ø (MM): 6,5 :

1 LV2404200 KIT FRONT RIM KSYRIUM PRO CARBON SL DISC TUB

SPOKES

2 LV3663300 KIT 12 FRT KSYR PRO CARB SL UST Disc + NDS KSYR PRO CARB SL
 2 LV227150001 KIT 12 FT KSY PRO CARB SL D/NDS KSY PRO CARB SL SPK 291mm -

HUB SHELLS



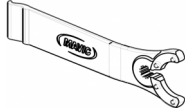
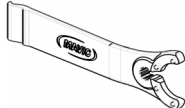
3 N/A HUB BODY
 4 L99688600 BEARING KIT 9/15 DCL HUB 20x32x7 6804 + 25x37x7 6805
 5 LV2252400 KIT MY16 FRONT AXLE ROAD DISC 9/12/15 CL
 6 LB4104300 ADAPTER Ft 9mm QR QRM+
 7 LB4104200 ADAPTER Ft 12mm QRM+
 8 LB4104400 ADAPTER Ft 15mm QRM+

TYRES

9 L37804400 Yksion Pro GripTub SSC

MAVIC Ksyrium Pro Carbon SL T Disc

DELIVERED WITH

BR601 quick releases	
Front 12 mm adapters	
Specific disc bolts	
User guide	
Front 12 mm adapters (B4104201) 1	
Rear 12x142mm adapters for Instant Drive 360 (B49 896 01 for ID360 6T, B49 899 01 for ID360 CL) 1	
Specific disc bolts	
Multifunction adjustment wrench (325 423 01) 1	
Multifunction adjustment wrench (325 423 01) 1	
User guide	
User guide	

COMPATIBILITY

Freewheel: Shimano/Sram or Campagnolo, convertible to XD-R with optional driver body	
Freewheel: Shimano/Sram, convertible to Campagnolo and XD-R with optional driver bodies	
Front axle: convertible from 12mm thru axle to quick release or 15mm thru axle with optional adapters	
Front axle: convertible from 12mm thru axle to quick release or 15mm thru axle with optional adapters	
Rear axle: 12mm thru axle, convertible to Quick Release with optional adapters	
Rear axle: 12mm thru axle, convertible to Quick Release with optional adapters	

Specifications

RIMS

- **Material** : 3K carbon fibers
 - **Height** : 25mm
 - **Drilling** : traditional
 - **Material** : 3K carbon fibers
 - **Material** : 3K carbon fibers
- Disc brake specific profile
- **Valve hole diameter** : 6.5 mm
 - **Tyre** : tubular
 - **ETRTO size** : 28" tubular
 - **Height** : 25mm
 - **Height** : 25mm
 - **Recommended tyre sizes** : 25 to 52 mm
 - **Drilling** : traditional
 - **Drilling** : traditional
- Disc brake specific profile
- Disc brake specific profile
- **Valve hole diameter** : 6.5 mm
 - **Valve hole diameter** : 6.5 mm
 - **Tyre** : tubular
 - **Tyre** : tubular
 - **ETRTO size** : 28" tubular
 - **ETRTO size** : 28" tubular

SPOKES

- **Material** : steel
- **Shape** : straight pull, bladed, double butted
- **Nipples** : aluminum, ABS

Down Count : 24 front and rear date date: 2020-01-02

- **Material** : steel

• **Location** : front crossed 2, rear loopless

WHEEL HUB

- **Front and rear bodies** : aluminum
 - **Axle material** : aluminum
- Sealed cartridge bearings
- **Freewheel** : Instant Drive 360
 - **Front and rear bodies** : aluminum
 - **Front and rear bodies** : aluminum
 - **Front** : Quick release, 12 thru and 15 thru compatible
 - **Axle material** : aluminum
 - **Axle material** : aluminum
 - **Rear** : 12x142 (convertible to quick release with optional adapters)
 - **Front bearings** : adjustable sealed cartridge bearings (QRM+), Rear bearings auto adjust sealed cartridge bearings (QRM Auto)
- Sealed cartridge bearings
- **Freewheel** : Instant Drive 360
 - **Freewheel** : Instant Drive 360
 - **Front** : Quick release, 12 thru and 15 thru compatible
 - **Rear** : 12x142 (convertible to quick release with optional adapters)

VERSIONS

- **Color** : Black only
- **Color** : Black only
- **Disc standard** : Center Lock(R) only
- **Disc standard** : Center Lock(R) only

WHEEL WEIGHTS

Wheel weight 625