



# Cosmic Pro Carbon SL C

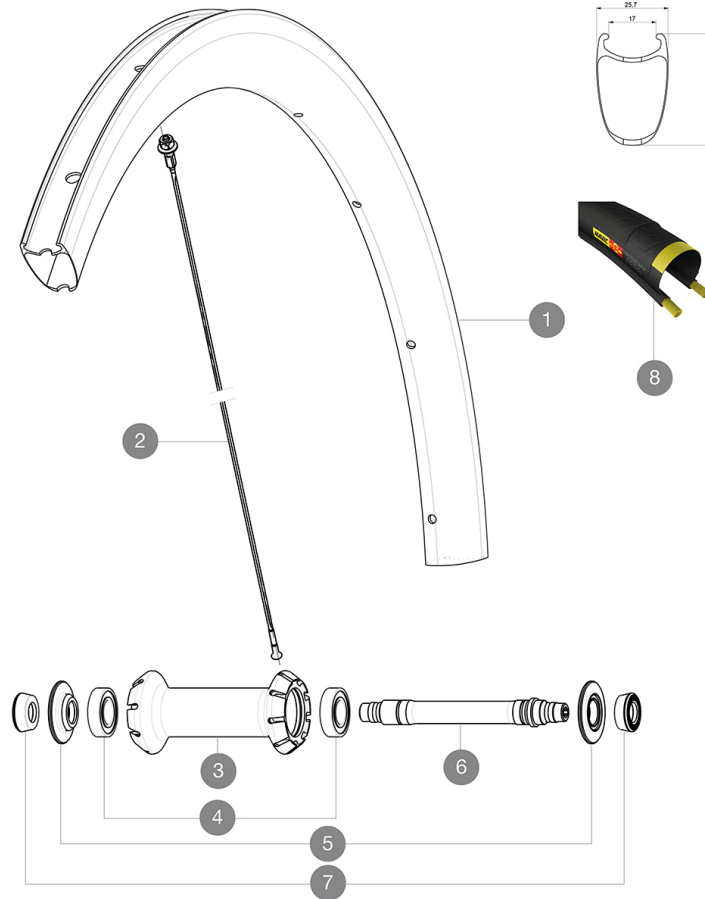
ASTM CATEGORY 1 : road only

For a longer longevity of the wheel, Mavic recommends that the total weight supported by the wheels doesn't exceed 120kg, bike included

Recommended tyre sizes: 25 to 52 mm  
Max. Pressure: 25mm 7.7 bars - 110 PSI

## 参照ホイール

F43301 CosmicProCarbSLCFt



## RIMS



バルブ穴径 ( MM ) : 6,5 :

1	LV2401000	KIT FRT RIM COSMIC PRO CARBON SL Clincher - While stock last
1	LV4092600	Kit Front rim Cosmic SL 40 RB
1	LV2736700	KIT FRONT RIM COSMIC PRO CARBON SL/PRO CARBON UST 19 - While stock
	LV3720100	25mm UST Tape for 19 to 22mm Road Rims
	LV2690100	KIT CARBON RIM TAPE 21x622mm (SPECIAL RIM TAPE)

## SPOKES

2	LV3662200	KIT 12 FRT COSMIC PRO CARB SL T/C/UST & NDS CPC SL BUTTED
2	LV227100001	AF 9 FT BTD AERO SPK 271mm/WIDE ALU NIP/WASH - while stock

## HUB SHELLS

4	LM4007800	FRONT HUB 6901 BEARINGS
5	LV2252500	FRONT SETTING NUT & DUST PROTECTOR MY16
6	L30870000	FRONT AXLE ROAD RIM BRAKING QRM +
7	L35117300	FRONT OR REAR FORK REST KIT R-SYS 2013

## TYRES

8	L37805200	Yksion Pro GripLink SSC 25
---	-----------	----------------------------



# Cosmic Pro Carbon SL C

## 付属品

BR601 quick releases	
Rim tape	
BR601 quick releases	
Carbon brake pads	
Carbon brake pads	
Multifunction adjustment wrench	
User guide	
Rim tape	
Multifunction adjustment wrench	
User guide	

## COMPATIBILITY

Freewheel: Shimano/Sram or Campagnolo, convertible to XD-R with optional driver body	
Front axle: Quick Release only	
Rear axle: Quick Release only	

## Specifications

### リム

- Material : 3K carbon fibers
- Height : 40 mm
- Drilling : traditional
- Material : 3K carbon fibers
- Brake track : carbon with TgMAX technology
- Valve hole diameter : 6.5 mm
- Tyre : clincher
- Internal width : 17 mm
- ETRTO size : 622x17C
- Recommended tyre sizes : 25 to 52 mm
- Height : 40 mm
- Drilling : traditional
- Brake track : carbon with TgMAX technology
- Valve hole diameter : 6.5 mm
- Tyre : clincher
- Internal width : 17 mm
- ETRTO size : 622x17C

### スポーク

- Material : steel
- Shape : straight pull, bladed, double butted
- Nipples : aluminum, ABS
- Count : front 18, rear 24
- Lacing : front radial, rear Isopulse
- Material : steel
- Shape : straight pull, bladed, double butted
- Nipples : aluminum, ABS
- Count : front 18, rear 24
- Lacing : front radial, rear Isopulse

### ホイールハブ

- Front and rear bodies : aluminum
- Axle material : aluminum
- Sealed cartridge bearings
- Freewheel : Instant Drive 360
- Front and rear bodies : aluminum
- Axle material : aluminum
- Sealed cartridge bearings
- Freewheel : Instant Drive 360

### VERSIONS

- Color : Black only

### ホイールの重み

ホイール重量 (クイックリリースおよびクリンチャー/チューブラーを除く) (g) : 665