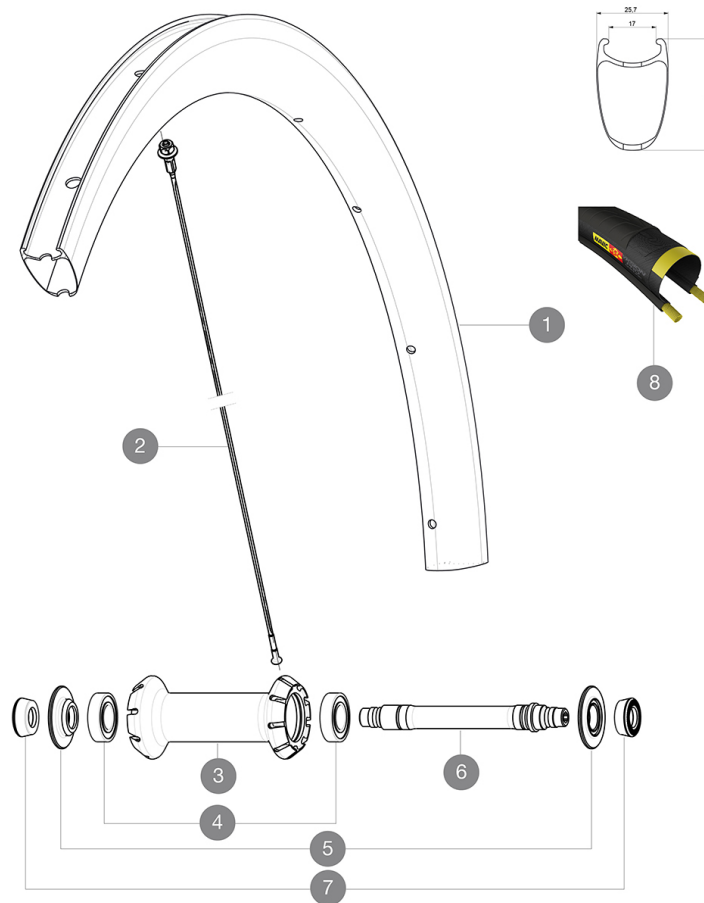


MAVIC *Cosmic Pro Carbon SL C*

ASTM CATEGORY 1 : road only
 Recommended weight limit : 120kg
 Recommended tyre sizes: 25 to 52 mm
 Max. Pressure: 25mm 7.7 bars - 110 PSI

REFERENCES WHEELS

F43301 CosmicProCarbSLCFT

**RIMS**

VALVE HOLE Ø (MM): 6,5 :

| | | |
|---|-----------|--|
| 1 | LV2401000 | KIT FRT RIM COSMIC PRO CARBON SL Clincher - While stock last |
| 1 | LV4092600 | Kit Front rim Cosmic SL 40 RB |
| 1 | LV2736700 | KIT FRONT RIM COSMIC PRO CARBON SL/PRO CARBON UST 19 - while |
| | LV3720100 | 25mm UST Tape for 19 to 22mm Road Rims |
| | LV2690100 | KIT CARBON RIM TAPE 21x622mm - FOR CARBON RIM |

SPOKES

| | | |
|---|-------------|--|
| 2 | LV3662200 | KIT 12 FRT COSMIC PRO CARB SL T/C/UST & NDS CPC SL BUTTED AE |
| 2 | LV227100001 | KIT 9 FT LTD AERO SPK 271mm/WIDE ALU NIP/WASH - while stock |

HUB SHELLS

| | | |
|---|-----------|---|
| 4 | LM4007800 | FRONT HUB BEARINGS 6901 x 2 |
| 5 | LV2252500 | FRONT SETTING NUT & DUST PROTECTOR MY16 |
| 6 | L30870000 | FRONT AXLE ROAD RIM BRAKING QRM + |
| 7 | L35117300 | FT/RR FORK REST R-SYS/CC ULTIMATE > 2013/KSY PRO CARB T |

TYRES

| | | |
|---|-----------|----------------------|
| 8 | L37805200 | YksionProGripLinkSSC |
|---|-----------|----------------------|

MAVIC Cosmic Pro Carbon SL C

DELIVERED WITH

| | |
|---------------------------------|--|
| BR601 quick releases | |
| Rim tape | |
| BR601 quick releases | |
| Carbon brake pads | |
| Carbon brake pads | |
| Multifunction adjustment wrench | |
| User guide | |
| Rim tape | |
| Multifunction adjustment wrench | |
| User guide | |

COMPATIBILITY

| | |
|--|--|
| Freewheel: Shimano/Sram or Campagnolo, convertible to XD-R with optional driver body | |
| Front axle: Quick Release only | |
| Rear axle: Quick Release only | |

Specifications

RIMS

- **Material** : 3K carbon fibers
- **Height** : 40 mm
- **Drilling** : traditional
- **Material** : 3K carbon fibers
- **Brake track** : carbon with TgMAX technology
- **Valve hole diameter** : 6.5 mm
- **Tyre** : clincher
- **Internal width** : 17 mm
- **ETRTO size** : 622x17C
- **Recommended tyre sizes** : 25 to 52 mm
- **Height** : 40 mm
- **Drilling** : traditional
- **Brake track** : carbon with TgMAX technology
- **Valve hole diameter** : 6.5 mm
- **Tyre** : clincher
- **Internal width** : 17 mm
- **ETRTO size** : 622x17C

SPOKES

- **Material** : steel
- **Shape** : straight pull, bladed, double butted
- **Nipples** : aluminum, ABS
- **Count** : front 18, rear 24
- **Lacing** : front radial, rear Isopulse
- **Material** : steel
- **Shape** : straight pull, bladed, double butted
- **Nipples** : aluminum, ABS
- **Count** : front 18, rear 24
- **Lacing** : front radial, rear Isopulse

WHEEL HUB

- **Front and rear bodies** : aluminum
- **Axle material** : aluminum
- Sealed cartridge bearings
- **Freewheel** : Instant Drive 360
- **Front and rear bodies** : aluminum
- **Axle material** : aluminum
- Sealed cartridge bearings
- **Freewheel** : Instant Drive 360

VERSIONS

- **Color** : Black only

WHEEL WEIGHTS

Wheel weight 665