

**MAVIC** *Cosmic Pro Carbon Disc*

ASTM CATEGORY 1 : road only

Recommended weight limit : 120kg

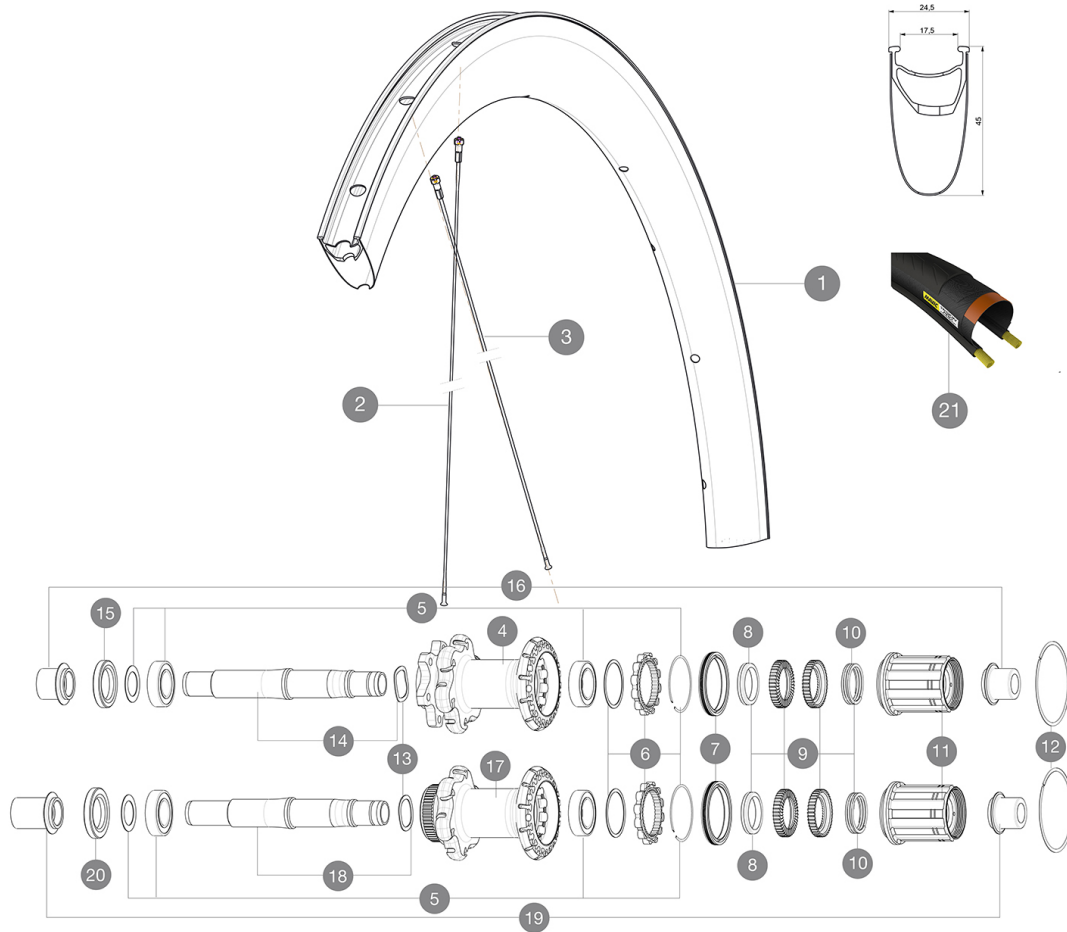
Recommended tire sizes: 25 to 32 mm

Max. Pressure: 23mm 8.7 bars - 125 psi, 25/28mm 7.7 bars - 110 psi

Max. Pressure: 25mm 7.7 bars - 110 PSI

**REFERENCES WHEELS**

|        |                         |        |                      |
|--------|-------------------------|--------|----------------------|
| R80901 | CosProCarD6BRr12x142    | R87001 | CosProCarDCLRr12x142 |
| R99481 | CosProCarDCLRr12x142Cus |        |                      |

**RIMS**

&amp;NBSP;:

|   |           |  |
|---|-----------|--|
| 1 | LV2408000 | KIT REAR RIM COSMIC PRO CARBON DISC CLINCHER |
|---|-----------|--|

**SPOKES**

|   |             |  |
|---|-------------|--|
| 2 | LV227490001 | KIT 12 FT/NDS BTD SPK 294mm/WIDE ALU NIPPLE - while stock la |
| 2 | LV3663700   | KIT 12 FRT/NDS BUTTED AERO STAINLESS SPOKE 294 + alu nipple  |
| 3 | LV3663500   | KIT 12 BUTTED AERO STAINLESS SPOKE 277 + alu nipple + washer |
| 3 | LV227460001 | KIT 12 DS BTD AERO SPK 277mm/ALU NIPPLE - while stock last   |

**HUB SHELLS**

|    |           |  |
|----|-----------|--|
| 4  | N/A       | HUB BODY   |
| 5  | LV2560200 | KIT ID360 BEARINGS 15/28/7 + 17/28/7               |
| 6  | LV2252700 | KIT ID360 INSERT SHAPED EAR LOBE > 2017            |
| 7  | LV2251600 | KIT ID360 SEAL + GREASE                            |
| 8  | LV2500500 | KIT ID360 3 PADS NOISE REDUCING                    |
| 9  | LV2251700 | KIT ID360 2 RATCHETS + SPRING + GREASE             |
| 10 | LV2251800 | KIT 3 ID360 ROAD SPRINGS                           |
| 11 | LV3430100 | HG11 Freewheel Body ID360                          |
| 12 | LV2252200 | KIT 2 REAR HUB RETENTION RINGS 48mm                |
| 13 | LV2251500 | KIT 3 ID360 WAVE WASHERS                           |
| 14 | LV2251300 | KIT ID360 AXLE DISC 6 BOLTS                        |
| 15 | LV2251000 | KIT ID360 HUB THREADED CAP UB+DISC 6 BOLTS (large) |
| 16 | LB4989600 | ADAPTER Rr 12x142mm ID360 (6bolt)                  |



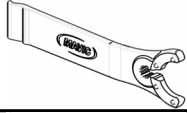
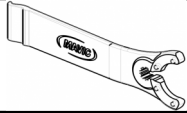
|    |           |   |
|----|-----------|---|
| 17 | N/A       | HUB BODY                                    |
| 18 | LV2251400 | KIT ID360 AXLE DISC CENTER LOCK             |
| 19 | LB4989900 | ADAPTER Rr 12x142mm ID360 (CLock)           |
| 20 | LV2251100 | KIT ID360 HUB THREADED CAP DISC CENTER LOCK |

**TYRES**

|    |           |                      |
|----|-----------|----------------------|
| 21 | L37805500 | YksionProPowerLinkWH |
|----|-----------|----------------------|

# MAVIC Cosmic Pro Carbon Disc

## DELIVERED WITH

|   |   |
|---|---|
| Front 12 mm adapters<br>(B4104201)<br>1   |  |
| Rear 12x142mm adapters for Instant Drive 360<br>(B49 896 01 for ID360 6T, B49 899 01 for ID360 CL)<br>1 |  |
| Specific disc bolts<br>(308 719 01)   |   |
| Rim tape  |   |
| Rim tape  |   |
| Multifunction adjustment wrench<br>(325 423 01)<br>1  |  |
| Multifunction adjustment wrench<br>(325 423 01)<br>1  |  |
| User guide  |   |
| User guide  |   |

## COMPATIBILITY

|   |  |
|---|--|
| Freewheel: Shimano/Sram, convertible to Campagnolo and XD-R with optional driver bodies               |  |
| Freewheel: Shimano/Sram, convertible to Campagnolo and XD-R with optional driver bodies               |  |
| Front axle: convertible from 12mm thru axle to quick release or 15mm thru axle with optional adapters |  |
| Front axle: convertible from 12mm thru axle to quick release or 15mm thru axle with optional adapters |  |
| Rear axle: 12mm thru axle, convertible to Quick Release with optional adapters                        |  |
| Rear axle: 12mm thru axle, convertible to Quick Release with optional adapters                        |  |

## Specifications

### RIMS

- **Material** : Maxtal and 12K carbon fiber
- **Material** : Maxtal and 12K carbon fiber
- **Height** : 52 mm
- **Height** : 52 mm
- **Joint** : SUP
- **Joint** : SUP
- **Drilling** : traditional
- **Drilling** : traditional
- Disc brake specific profile
- Disc brake specific profile
- **Weight reduction** : ISM
- **Weight reduction** : ISM
- **Valve hole diameter** : 6.5 mm
- **Valve hole diameter** : 6.5 mm
- **Tire** : clincher
- **Tire** : clincher
- **Internal width** : 17 mm
- **Internal width** : 17 mm
- **ETRTO size** : 622x17C
- **ETRTO size** : 622x17C

### SPOKES

- **Material** : steel
- **Material** : steel
- **Shape** : straight pull, aero, double butted
- **Shape** : straight pull, bladed, double butted
- **Nipples** : aluminum, ABS
- **Nipples** : aluminum, ABS
- **Count** : 24 front and rear
- **Count** : 24 front and rear
- **Lacing** : front crossed 2, rear Isopulse
- **Lacing** : front crossed 2, rear Isopulse

### WHEEL HUB

- **Front and rear bodies** : aluminum
- **Front and rear bodies** : aluminum
- **Axle material** : aluminum
- **Axle material** : aluminum
- **Front bearings** : adjustable sealed cartridge bearings (QRM+), Rear bearings auto adjust sealed cartridge bearings (QRM Auto)
- Sealed cartridge bearings
- **Freewheel** : Instant Drive 360
- **Freewheel** : Instant Drive 360
- **Front** : Quick release, 12 thru and 15 thru compatible
- **Rear** : 12x142 (convertible to quick release with optional adapters)

### VERSIONS

- **Color** : Black only
- **Color** : Black only
- **Disc standard** : 6 Bolts or Center Lock(R)
- **Disc standard** : 6 Bolts or Center Lock(R)

### WHEEL WEIGHTS

Wheel weight 935