

ASTM CATEGORY 1 : road only

For a longer longevity of the wheel, Mavic recommends that the total weight supported by the wheels don't exceed 120kg, bike included

Recommended tyre sizes: 25 to 32 mm

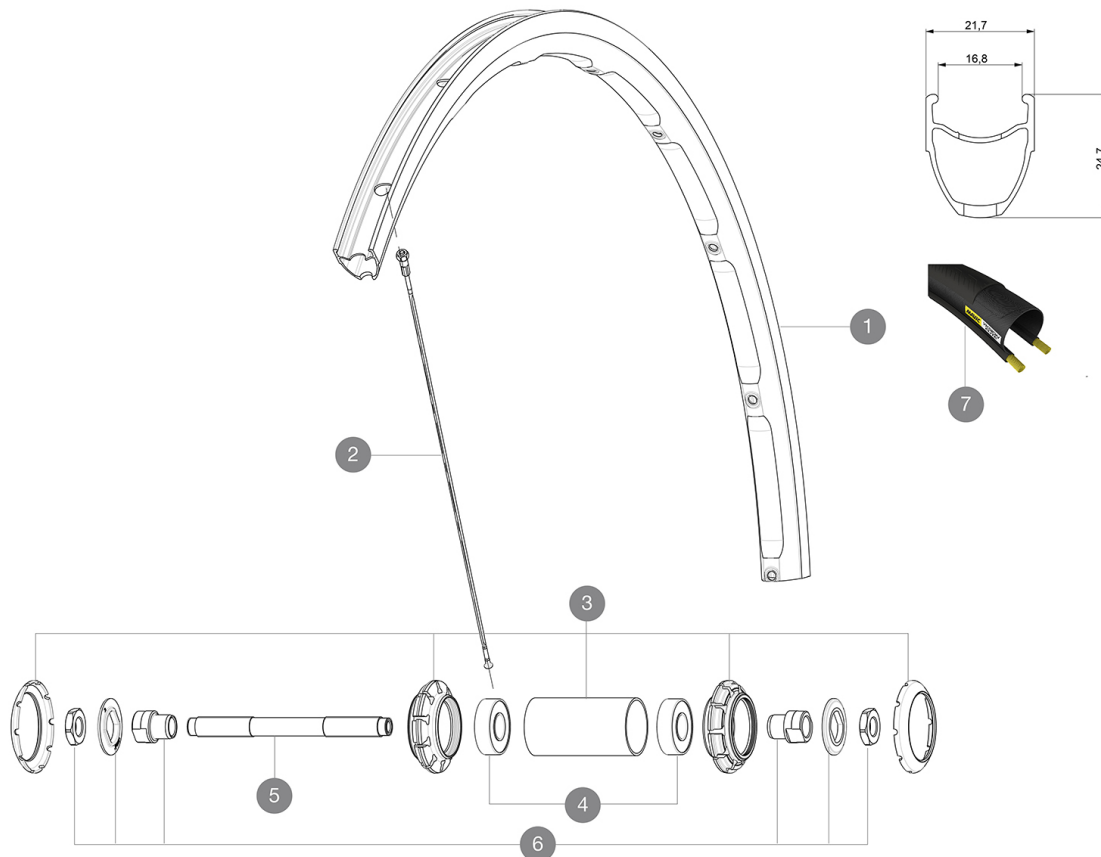
23mm 8.7 bars - 125 psi, 25mm 7.7 bars - 110 psi

Max. Pressure: 25mm 7.7 bars - 110 PSI

## 参照ホイール

F54401 Ksyrium 17 Ft Black

F54402 Ksyrium 17 Ft Blue



## RIMS



&NBSP;:

- |   |           |                                 |
|---|-----------|---------------------------------|
| 1 | LV2409100 | KIT FRONT RIM KSYRIUM BLUE17C   |
| 1 | LV2408900 | KIT FRONT RIM KSYRIUM BLACK 17C |

## SPOKES

- |   |           |  |
|---|-----------|--|
| 2 | LV2275900 | KIT 10 FRONT AERO SPOKES 282mm + STEEL NIPPLES |
|---|-----------|--|

## HUB SHELLS

- |   |           |  |
|---|-----------|--|
| 3 | L12034400 | KIT 3 HUB CAPS AERO 10 SLOTS BLACK       |
| 3 | N/A       | HUB BODY                                 |
| 4 | LM4031800 | HUB BEARING KIT 6001                     |
| 5 | L99603700 | FRONT AXLE QRM ROAD 2008                 |
| 6 | L99603800 | SHORT EXPENSIBLE BEARING SUPPORTS > 2008 |



## TYRES

- |   |           |                 |
|---|-----------|-----------------|
| 7 | L37805700 | Yksion Elite 25 |
|---|-----------|-----------------|

**MAVIC**

# Ksyrium

## 付属品

BR101 quick releases (M40350 frt, M40351 rear road, M40352 rear MTB) 1	
BR101 quick releases (M40350 frt, M40351 rear road, M40352 rear MTB) 1	
Rim tape	
Rim tape	
User guide	
User guide	

## COMPATIBILITY

Freewheel: Shimano/Sram, convertible to Campagnolo with optional driver body	
Freewheel: Shimano/Sram, convertible to Campagnolo with optional driver body	
Front axle: Quick Release only	
Front axle: Quick Release only	
Rear axle: Quick Release only	
Rear axle: Quick Release only	

## Specifications

### リム

- Material : S6000 Aluminum
- Material : S6000 Aluminum
- Height : 24 mm
- Height : 24 mm
- Height : 21 mm
- Joint : SUP
- Joint : SUP
- Drilling : traditional with H2 reinforcement
- Drilling : traditional with H2 reinforcement
- Brake track : UB Control
- Brake track : UB Control
- Weight reduction : ISM
- Weight reduction : ISM
- Valve hole diameter : 6.5 mm
- Valve hole diameter : 6.5 mm
- Tyre : clincher
- Tyre : clincher
- Internal width : 17 mm
- Internal width : 17 mm
- ETRTO size : 622x17C
- ETRTO size : 622x17C

### スポーク

- Material : steel
- Material : steel
- Shape : straight pull, bladed
- Shape : straight pull, bladed
- Nipples : steel, ABS
- Nipples : steel, ABS
- Count : 20 front and rear
- Count : 20 front and 24 rear
- Lacing : front radial, rear Isopulse
- Lacing : front radial, rear Isopulse

### ホイールハブ

- Front and rear bodies : aluminum
- Front and rear bodies : aluminum
- Axle material : steel
- Axle material : steel
- Sealed cartridge bearings
- Sealed cartridge bearings
- Freewheel : FTS-L steel
- Freewheel : FTS-L steel

### VERSIONS

- Color : Black or Black/Blue
- iiiiiiiiiiii

### ホイールの重み

ホイール重量 ( クイックリリー  
スおよびクリンチャー/チュー  
ブラーを除く ) ( g ) : 765