

ASTM CATEGORY 1 : road only

For a longer longevity of the wheel, Mavic recommends that the total weight supported by the wheels don't exceed 120kg, bike included

Recommended tyre sizes: 25 to 32 mm

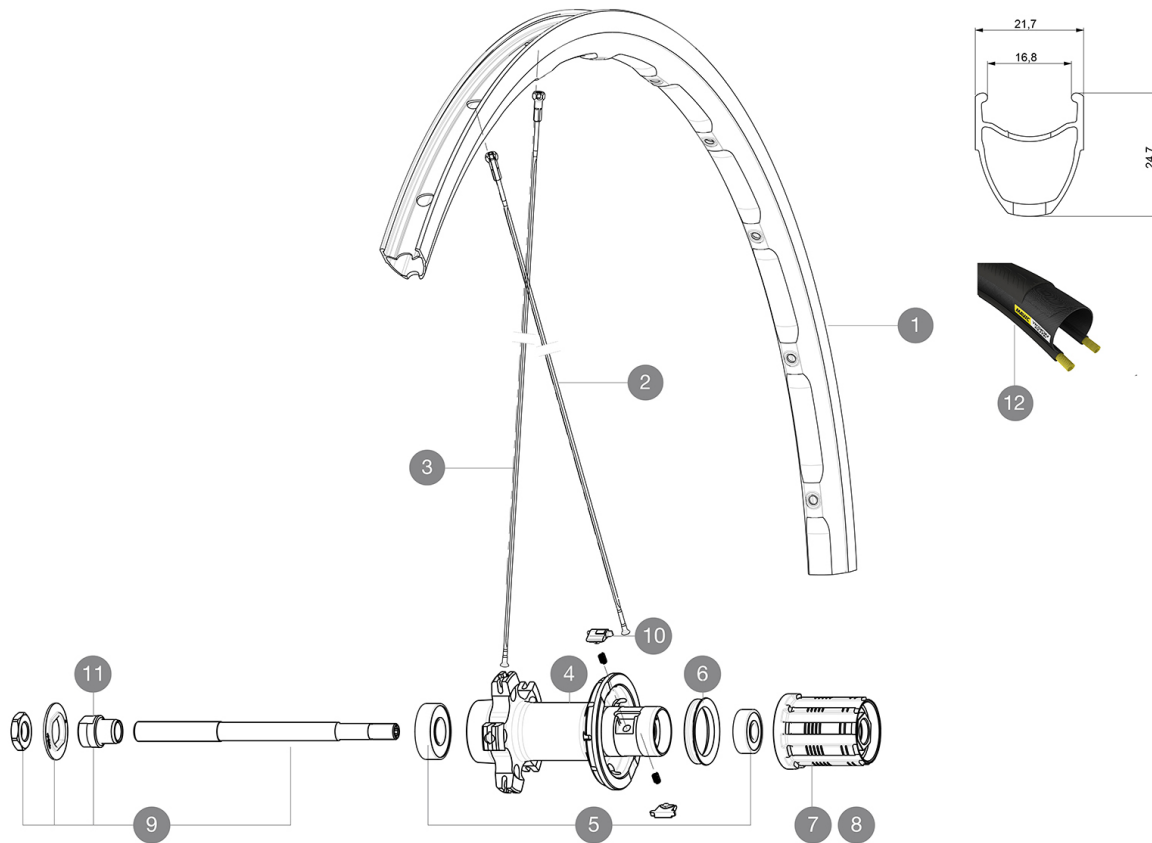
23mm 8.7 bars - 125 psi, 25mm 7.7 bars - 110 psi

Max. Pressure: 25mm 7.7 bars - 110 PSI

参照ホイール

R81001 Ksyrium 17 Rr Black

R81002 Ksyrium 17 Rr Blue



RIMS



&NBSP;:

1	LV2409000	KIT REAR RIM KSYRIUM BLACK 17C
1	LV2409200	KIT REAR RIM KSYRIUM BLUE 17C

SPOKES

2	LV2275700	KIT 12 REAR KSYRIUM DISC 12mm & KSYRIUM 17C NON-DRIVE SIDE
3	LV2275800	KIT 12 REAR KSYRIUM DISC 12mm & KSYRIUM 17C DRIVE SIDE AERO

HUB SHELLS



5	LM4066000	REAR HUB 608+6001 BEARINGS
6	L99500000	FTSL/FTSX FREEHUB BODY SEAL
7	L30871100	FTS-L FREEWHEEL BODY HG11 2013 (8 or 9mm axle compatible)
9	L99603900	REAR AXLE KSYRIUM EQUIPE 08
10	LM4057800	FTSL PAWLS KIT (ROAD WHEELS)
11	L99603800	SHORT EXPENSIBLE BEARING SUPPORTS > 2008

TYRES

12	L37805700	Yksion Elite 25
----	-----------	-----------------

MAVIC Ksyrium

付属品

BR101 quick releases (M40350 frt, M40351 rear road, M40352 rear MTB) 1	
BR101 quick releases (M40350 frt, M40351 rear road, M40352 rear MTB) 1	
Rim tape	
Rim tape	
User guide	
User guide	

COMPATIBILITY

Freewheel: Shimano/Sram, convertible to Campagnolo with optional driver body	
Freewheel: Shimano/Sram, convertible to Campagnolo with optional driver body	
Front axle: Quick Release only	
Front axle: Quick Release only	
Rear axle: Quick Release only	
Rear axle: Quick Release only	

Specifications

リム

- Material : S6000 Aluminum
- Material : S6000 Aluminum
- Height : 24 mm
- Height : 24 mm
- Height : 21 mm
- Joint : SUP
- Joint : SUP
- Drilling : traditional with H2 reinforcement
- Drilling : traditional with H2 reinforcement
- Brake track : UB Control
- Brake track : UB Control
- Weight reduction : ISM
- Weight reduction : ISM
- Valve hole diameter : 6.5 mm
- Valve hole diameter : 6.5 mm
- Tyre : clincher
- Tyre : clincher
- Internal width : 17 mm
- Internal width : 17 mm
- ETRTO size : 622x17C
- ETRTO size : 622x17C

スポーク

- Material : steel
- Material : steel
- Shape : straight pull, bladed
- Shape : straight pull, bladed
- Nipples : steel, ABS
- Nipples : steel, ABS
- Count : 20 front and rear
- Count : 20 front and 24 rear
- Lacing : front radial, rear Isopulse
- Lacing : front radial, rear Isopulse

ホイールハブ

- Front and rear bodies : aluminum
- Front and rear bodies : aluminum
- Axle material : steel
- Axle material : steel
- Sealed cartridge bearings
- Sealed cartridge bearings
- Freewheel : FTS-L steel
- Freewheel : FTS-L steel

VERSIONS

- Color : Black or Black/Blue
- iiiiiiiiiiii

ホイールの重み

ホイール重量 (クイックリリースおよびクリンチャー/チューブラーを除く) (g) : 925