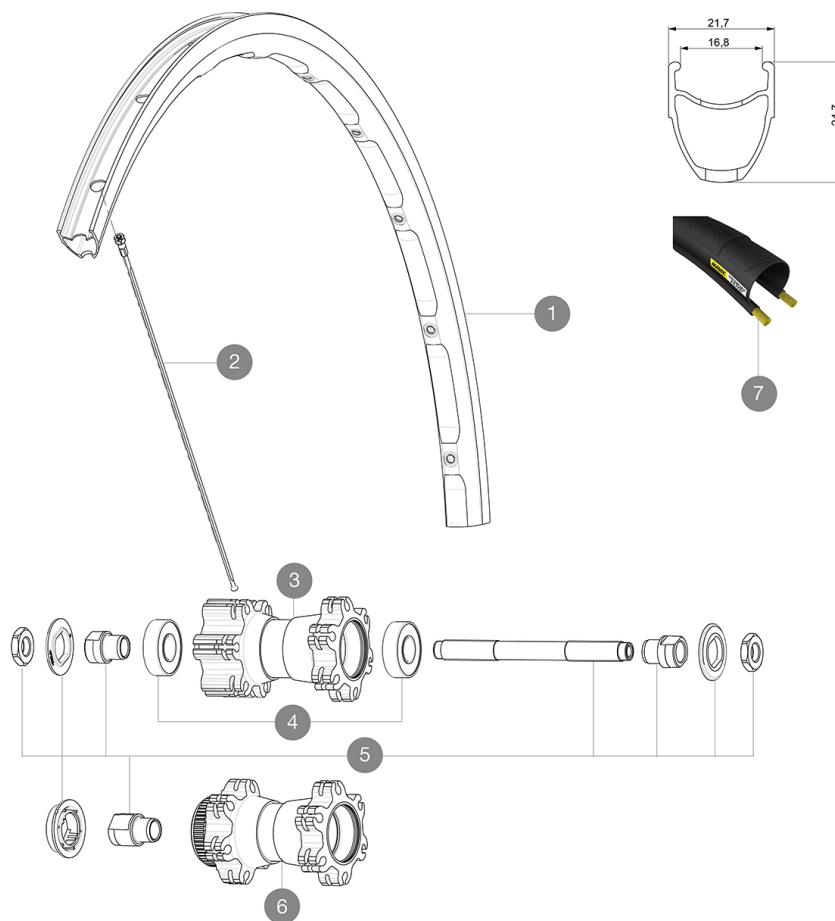


ASTM CATEGORY 2 : road and offroad with jumps less than 15cm  
Recommended weight limit : 120kg  
Recommended tire sizes: 25 to 32 mm  
Max. Pressure: 25mm 7.7 bars - 110 PSI

## REFERENCES WHEELS

F67301 Ksyrium D6B 17 Ft QRx100

F67401 Ksyrium DCL 17 Ft QRx100



## RIMS



&NBSP;:

1	LV2409300	KIT FRONT/REAR RIM KSYRIUM DISC 17C
---	-----------	-------------------------------------

## SPOKES

2	LV2275500	KIT 12 FT KSYRIUM D/NDS KSY D 9 SPK 292mm
---	-----------	---

## HUB SHELLS


4	LM4031800	KIT 2 HUB BEARINGS 6001
5	L32347900	FRONT AXLE QRM UB
6	N/A	HUB BODY

## TYRES

7	L37805700	Yksion Elite
---	-----------	--------------

# MAVIC Ksyrium Disc

## DELIVERED WITH

BR101 quick releases (M40350 firt, M40351 rear road, M40352 rear MTB) 1	
Rim tape	
User guide	

## COMPATIBILITY

Freewheel: Shimano/Sram, convertible to Campagnolo with optional driver body	
Front axle: Quick Release only	
Rear axle: Quick Release only	

## Specifications

### RIMS

- **Material** : S6000 Aluminum
- **Height** : 24 mm
- **Joint** : SUP
- **Drilling** : traditional with H2 reinforcement  
Disc brake specific profile
- **Weight reduction** : ISM
- **Valve hole diameter** : 6.5 mm
- **Tire** : clincher
- **Internal width** : 17 mm
- **ETRTO size** : 622x17C

### SPOKES

- **Material** : steel
- **Shape** : straight pull, bladed
- **Nipples** : steel, ABS
- **Count** : 24 front and rear
- **Lacing** : front and rear crossed 2

### WHEEL HUB

- **Front and rear bodies** : aluminum
- **Axle material** : steel  
Sealed cartridge bearings
- **Freewheel** : FTS-L steel

### VERSIONS

- **Color** : Black only
- **Disc standard** : 6 Bolts or Center Lock(R)

### WHEEL WEIGHTS

Wheel weight 880