

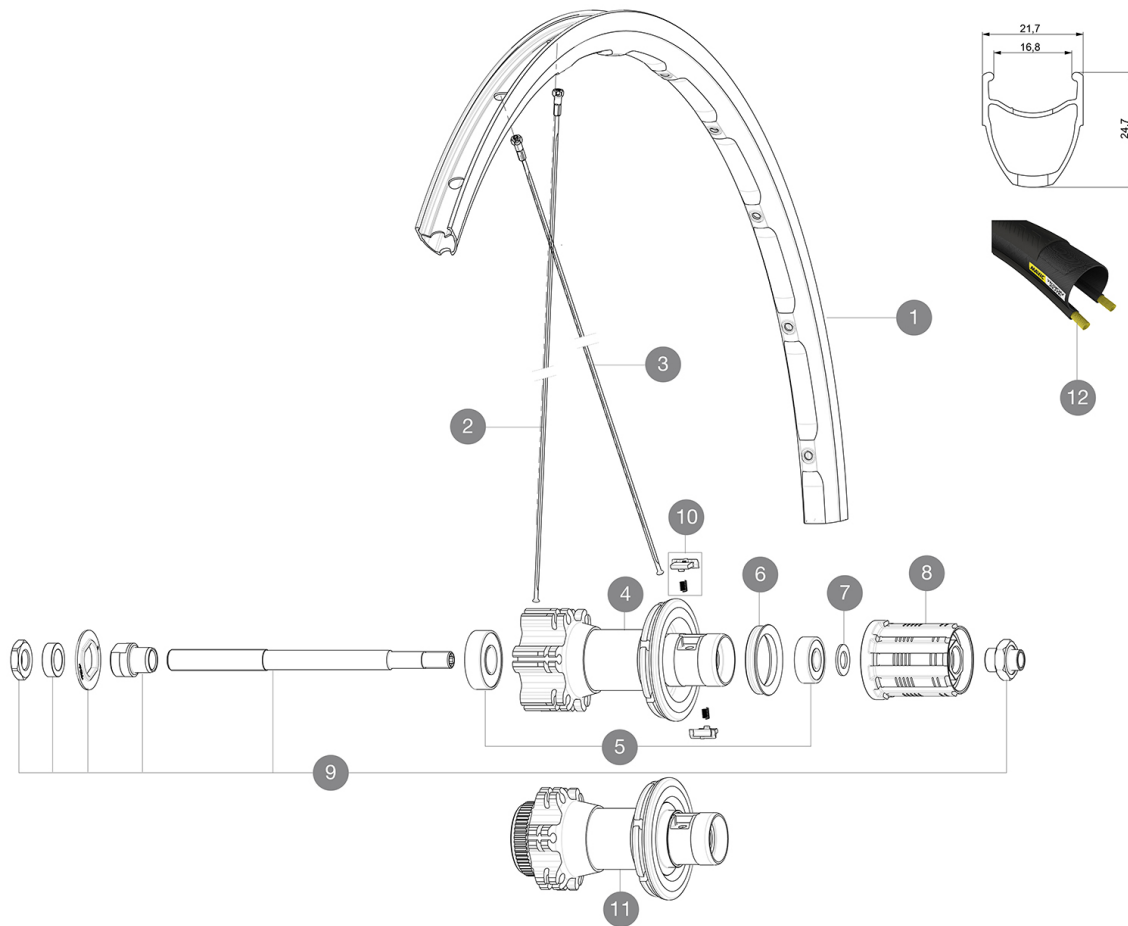
# MAVIC Ksyrium Disc

ASTM CATEGORY 2 : road and offroad with jumps less than 15cm  
 For a longer longevity of the wheel, Mavic recommends that the total weight supported by the wheels don't exceed 120kg, bike included  
 Recommended tyre sizes: 25 to 32 mm  
 Max. Pressure: 25mm 7.7 bars - 110 PSI

## 参照ホイール

R93901 Ksyrium D6B 17 Rr QRx135

R94001 Ksyrium DCL 17 Rr QRx135



## RIMS



&NBSP;:

1 LV2409300 KIT FRONT & REAR RIM KSYRIUM DISC 17C

## SPOKES

2 LV2275500 KIT 12 FT KSYRIUM D/NDS KSY D 9 SPK 292mm  
 3 LV2275600 KIT 12 DS KSYRIUM DISC 9mm SPK 289mm

## HUB SHELLS

5 LM4066000 REAR HUB 608+6001 BEARINGS  
 6 L99500000 FTSL/FTSX FREEHUB BODY SEAL  
 7 LM4006700 10 SPACERS FRW/HUB BODY  
 8 L30871100 FTS-L FREEWHEEL BODY HG11 2013 (8 or 9mm axle compatible)  
 9 L32348000 DISC REAR AXLE XLAND/XMAX ENDU  
 10 L32430300 FTSX MTB PAWLS KIT  
 11 N/A HUB BODY


## TYRES

12 L37805700 Yksion Elite 25

**MAVIC**

# Ksyrium Disc

## 付属品

BR101 quick releases (M40350 frt, M40351 rear road, M40352 rear MTB) 1	
Rim tape	
User guide	

## COMPATIBILITY

Freewheel: Shimano/Sram, convertible to Campagnolo with optional driver body	
Front axle: Quick Release only	
Rear axle: Quick Release only	

## Specifications

### リム

- Material : S6000 Aluminum
  - Height : 24 mm
  - Joint : SUP
  - Drilling : traditional with H2 reinforcement
- Disc brake specific profile
- Weight reduction : ISM
  - Valve hole diameter : 6.5 mm
  - Tyre : clincher
  - Internal width : 17 mm
  - ETRTO size : 622x17C

### スポーク

- Material : steel
- Shape : straight pull, bladed
- Nipples : steel, ABS
- Count : 24 front and rear
- Lacing : front and rear crossed 2

### ホイールハブ

- Front and rear bodies : aluminum
  - Axle material : steel
- Sealed cartridge bearings
- Freewheel : FTS-L steel

### VERSIONS

- Color : Black only
- Disc standard : 6 Bolts or Center Lock(R)

### ホイールの重み

ホイール重量 (クイックリリース  
スおよびクリンチャー/チュー  
ブラーを除く) (g) : 1010