

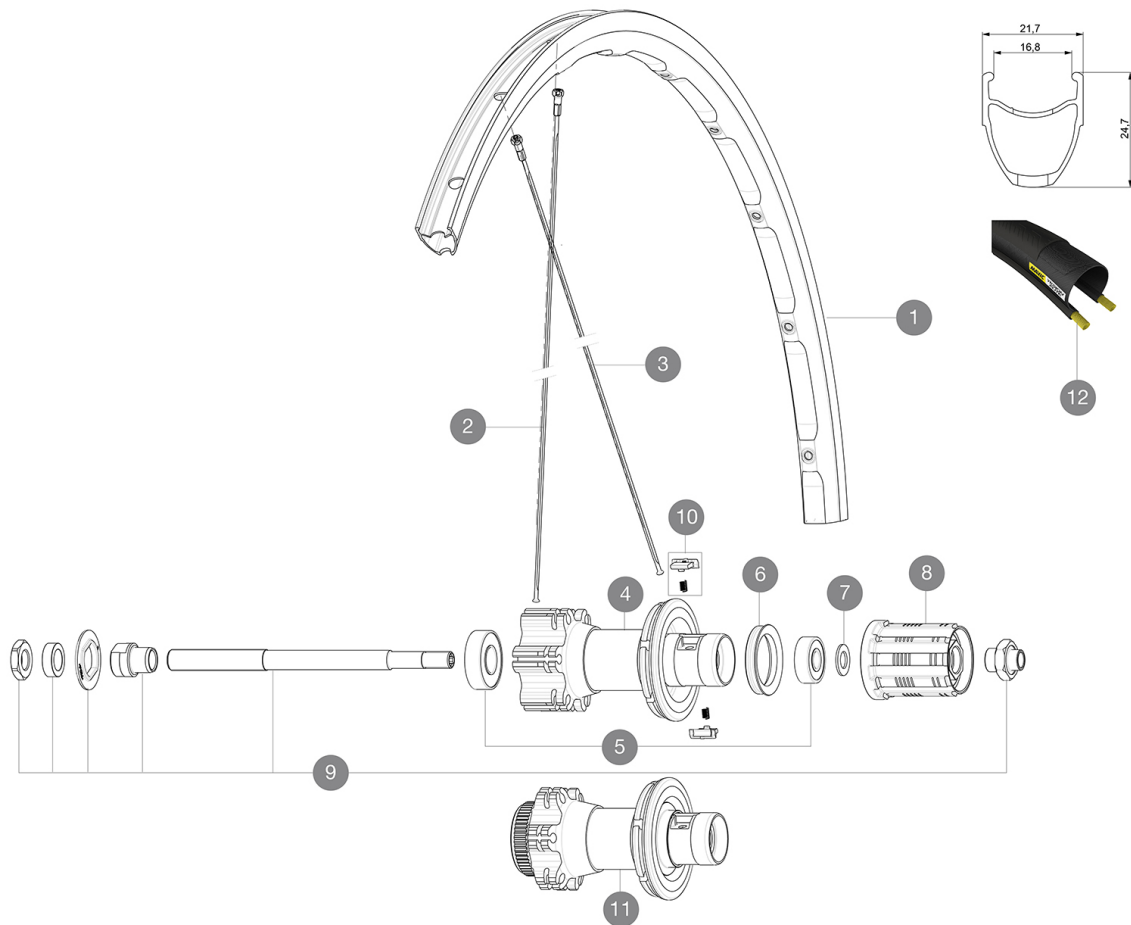
MAVIC *Ksyrium Disc*

ASTM CATEGORY 2 : road and offroad with jumps less than 15cm
 Recommended weight limit : 120kg
 Recommended tire sizes: 25 to 32 mm
 Max. Pressure: 25mm 7.7 bars - 110 PSI

REFERENCES WHEELS

R93901 Ksyrium D6B 17 Rr QRx135

R94001 Ksyrium DCL 17 Rr QRx135

**RIMS**

&NBSP;:

1	LV2409300	KIT FRONT/REAR RIM KSYRIUM DISC 17C
---	-----------	-------------------------------------

SPOKES

2	LV2275500	KIT 12 FT KSYRIUM D/NDS KSY D 9 SPK 292mm
3	LV2275600	KIT 12 DS KSYRIUM DISC 9mm SPK 289mm

HUB SHELLS


5	LM4066000	REAR HUB 608+6001 BEARINGS
6	L99500000	FTSL/FTSX FREEHUB BODY SEAL
7	LM4006700	INTERNAL FREEWHEEL SPACER FTSL/FTSX
8	L30871100	FTS-L ROAD FREEWHEEL BODY HG11 8/9 compatible
9	L32348000	MTB DISC REAR AXLE QRM MTB DISC
10	L32430300	FTSX PAWLS KIT (MTB WHEELS)
11	N/A	HUB BODY

TYRES

12	L37805700	Yksion Elite
----	-----------	--------------

MAVIC Ksyrium Disc

DELIVERED WITH

BR101 quick releases (M40350 firt, M40351 rear road, M40352 rear MTB) 1	
Rim tape	
User guide	

COMPATIBILITY

Freewheel: Shimano/Sram, convertible to Campagnolo with optional driver body	
Front axle: Quick Release only	
Rear axle: Quick Release only	

Specifications

RIMS

- **Material** : S6000 Aluminum
- **Height** : 24 mm
- **Joint** : SUP
- **Drilling** : traditional with H2 reinforcement
Disc brake specific profile
- **Weight reduction** : ISM
- **Valve hole diameter** : 6.5 mm
- **Tire** : clincher
- **Internal width** : 17 mm
- **ETRTO size** : 622x17C

SPOKES

- **Material** : steel
- **Shape** : straight pull, bladed
- **Nipples** : steel, ABS
- **Count** : 24 front and rear
- **Lacing** : front and rear crossed 2

WHEEL HUB

- **Front and rear bodies** : aluminum
- **Axle material** : steel
Sealed cartridge bearings
- **Freewheel** : FTS-L steel

VERSIONS

- **Color** : Black only
- **Disc standard** : 6 Bolts or Center Lock(R)

WHEEL WEIGHTS

Wheel weight 1010