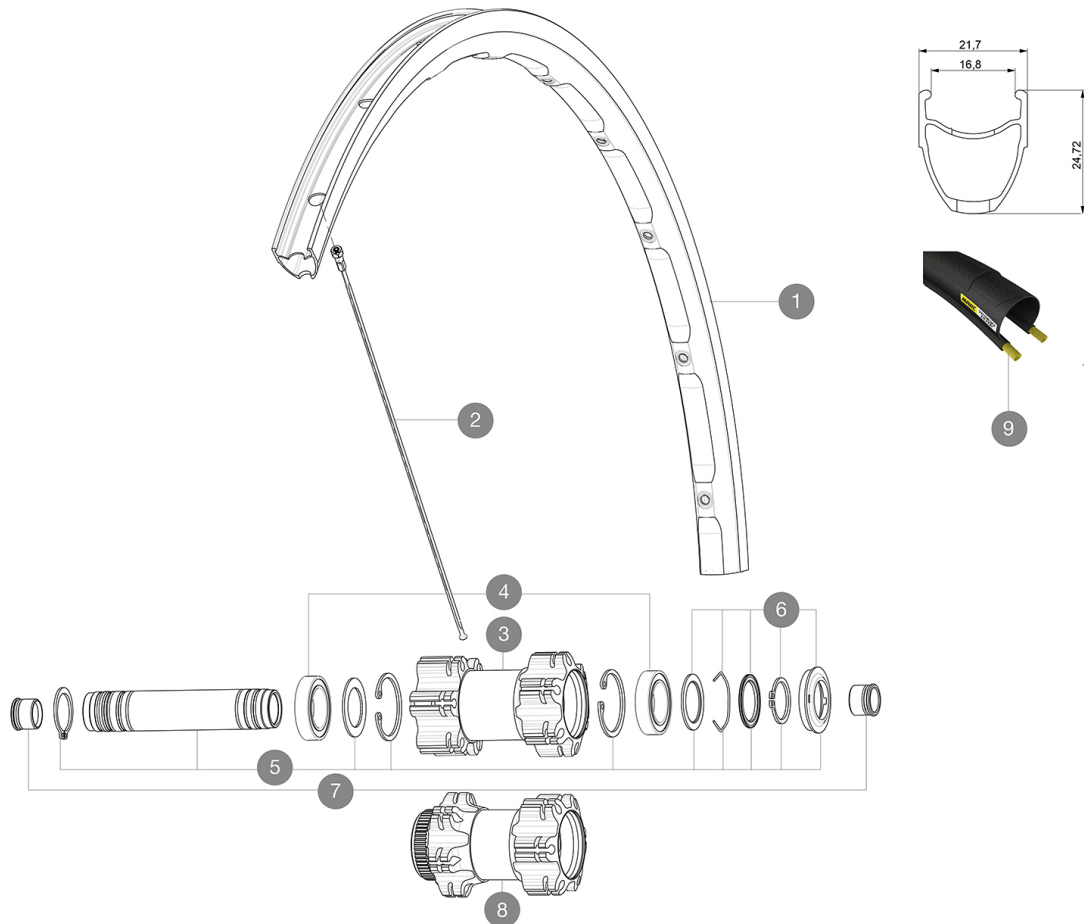


MAVIC Ksyrium Disc TA

REFERENCES WHEELS

ASTM CATEGORY 2 : road and offroad with jumps less than 15cm
 Recommended weight limit : 120kg
 Recommended tire sizes: 25 to 32 mm
 Max. Pressure: 25/28mm 7.7 bars - 110 PSI



RIMS



&NBSP;:

1 LV2409300 KIT FRONT/REAR RIM KSYRIUM DISC 17C

SPOKES

2 LV2275700 KIT 12 NDS KSYRIUM DISC 12/KSY 17C SPK 292mm

HUB SHELLS

3	N/A	HUB BODY
4	L99688500	BEARING KIT 9/12/15 D6T HUB 20x32x7 6804
5	LV2371100	KIT FRONT QRM AXLE 100mm/BOOST 110mm
6	LV2370300	KIT FRONT AUTO ADJUSTING PLAY 15mm AXLE
7	LV2680200	12mmFitRoadAxleAdaptersQRM

TYRES

9 L37805700 Yksion Elite

MAVIC Ksyrium Disc TA

DELIVERED WITH

BR101 quick releases (M40350 firt, M40351 rear road, M40352 rear MTB) 1	
Front 12 mm adapters (B4104201) 1	
Rear 12x142mm adapters for Instant Drive 360 (B49 896 01 for ID360 6T, B49 899 01 for ID360 CL) 1	
Rim tape	
User guide	

COMPATIBILITY

Freewheel: Shimano/Sram, convertible to Campagnolo and XD-R with optional driver bodies	
Front axle: convertible from 12mm thru axle to quick release or 15mm thru axle with optional adapters	
Rear axle: 12mm thru axle, convertible to Quick Release with optional adapters	

Specifications

RIMS

- **Material** : S6000 Aluminum
- **Height** : 21 mm
- **Joint** : SUP
- **Drilling** : traditional with H2 reinforcement
Disc brake specific profile
- **Weight reduction** : ISM
- **Valve hole diameter** : 6.5 mm
- **Tire** : clincher
- **ETRTO size** : 622x17C

SPOKES

- **Material** : steel
- **Shape** : straight pull, bladed
- **Count** : 24 front and rear
- **Lacing** : front crossed 2, rear Isopulse

WHEEL HUB

- **Front and rear bodies** : aluminum
- **Axle material** : aluminum
- Sealed cartridge bearings
- **Freewheel** : Instant Drive 360
- **Front** : Quick release, 12 thru and 15 thru compatible
- **Rear** : 12x142 (convertible to quick release with optional adapters)

VERSIONS

- **Color** : Black only
- **Disc standard** : 6 Bolts or Center Lock(R)

WHEEL WEIGHTS

Wheel weight 845