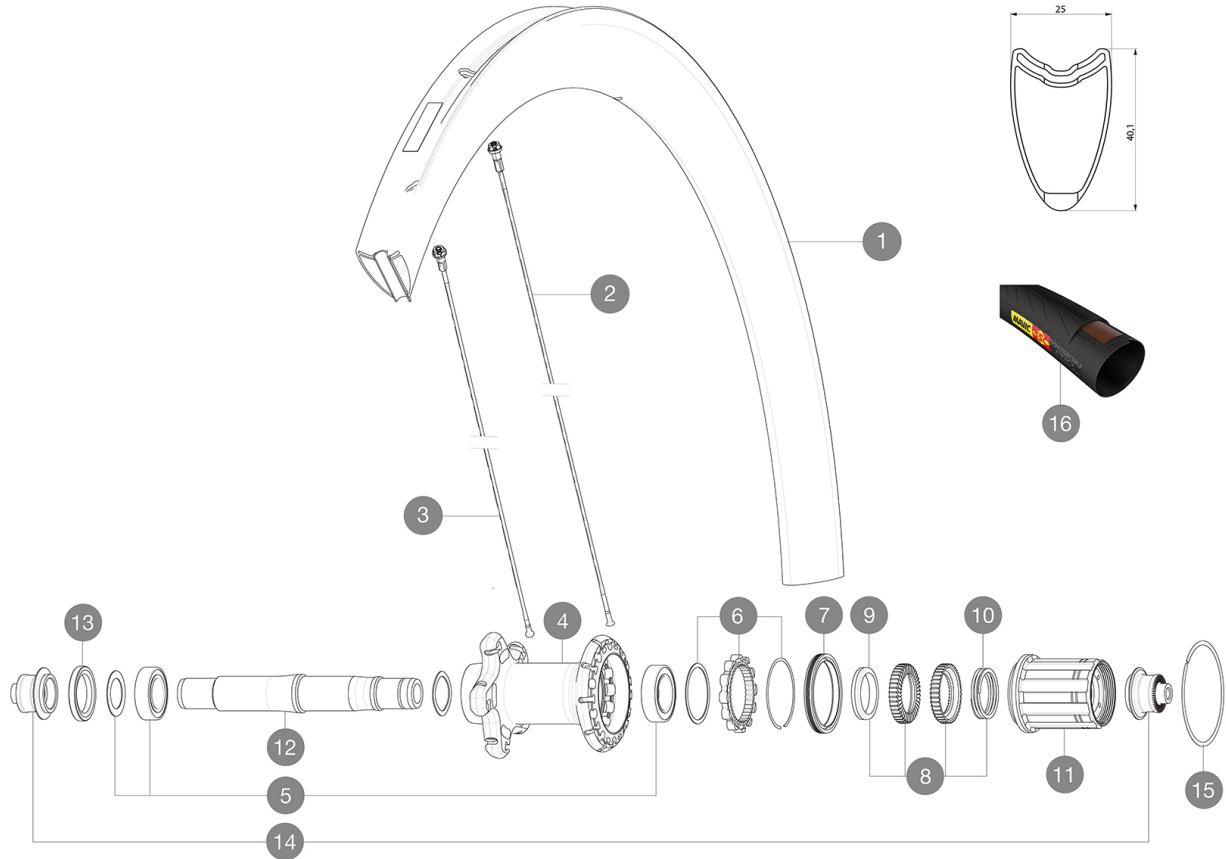


**MAVIC** *Cosmic Pro Carbon SL T*

ASTM CATEGORY 2 : road and offroad with jumps less than 15cm  
 Recommended weight limit : 120kg  
 Recommended tire sizes: 25 to 32 mm  
 Max. Pressure: 23mm 8.7 bars - 125 psi, 25/28mm 7.7 bars - 110 psi  
 Max. Pressure: 25mm 7.7 bars - 110 PSI

**REFERENCES WHEELS**

R98311 Cosmic Pro Car SL T Rr

**RIMS**

&amp;NBSP;:

1	LV2406600	KIT REAR RIM COSMIC PRO CARBON SL TUBULAR
---	-----------	---

**SPOKES**

2	LV227400001	KIT 12 DS BTD AERO SPK 260mm/ALU NIPPL/WASHER - while stock
2	LV3662800	KIT 12 DS COSMIC PRO CARB SL T/UST/UST Disc/C/C Disc BUTTED
3	LV3663800	KIT 12 FRT KSYR PRO CARB SL C/UST/T & NDS COSMIC PRO CARB SL
3	LV227760001	KIT 12 NDS COSMIC PRO CARBON SL T 285mm SPK - while stock la

**HUB SHELLS**





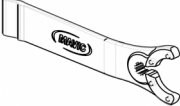

4	N/A	HUB BODY
5	LV2560100	KIT ID360 BEARINGS 15/26/7 + 17/28/7
6	LV2252700	KIT ID360 INSERT SHAPED EAR LOBE > 2017
7	LV2251600	KIT ID360 SEAL + GREASE
8	LV2251700	KIT ID360 2 RATCHETS + SPRING + GREASE
9	LV2500500	KIT ID360 3 PADS NOISE REDUCING
10	LV2251800	KIT 3 ID360 ROAD SPRINGS
11	LV3430100	HG11 Freewheel Body ID360
12	LV2251200	KIT ID360 AXLE UB
13	LV2250900	KIT ID360 HUB THREADED CAP for UB model (small)
14	LB4989400	ADAPTER Rr 9mm QR ID360 (6bolt)
15	LV2252200	KIT 2 REAR HUB RETENTION RINGS 48mm

**TYRES**

16	L37804600	Yksion ProPowerTub SSC
----	-----------	------------------------

# MAVIC Cosmic Pro Carbon SL T

## DELIVERED WITH

BR601 quick releases (V24 501 01 frt, V24 502 01 rear) 1	
BR601 quick releases (V24 501 01 frt, V24 502 01 rear) 1	
Carbon brake pads (V24 603 01 Shimano/Sram, V24 604 01 Campagnolo) 1 pair	
Carbon brake pads (V24 603 01 Shimano/Sram, V24 604 01 Campagnolo) 1 pair	
Multifunction adjustment wrench (325 423 01) 1	
Multifunction adjustment wrench (325 423 01) 1	
User guide	
User guide	

## COMPATIBILITY

Freewheel: Shimano/Sram or Campagnolo, convertible to XD-R with optional driver body	
Freewheel: Shimano/Sram, convertible to Campagnolo and XD-R with optional driver bodies	
Front axle: Quick Release only	
Front axle: Quick Release only	
Rear axle: Quick Release only	
Rear axle: Quick Release only	

## Specifications

### RIMS

- Material : 3K carbon fibers
- Material : 3K carbon fibers
- Height : 40 mm
- Height : 40 mm
- Drilling : traditional
- Drilling : traditional
- Brake track : carbon with TgMAX technology
- Brake track : carbon with TgMAX technology
- Valve hole diameter : 6.5 mm
- Valve hole diameter : 6.5 mm
- Tyre : tubular
- ETRTO size : 28" tubular
- ETRTO size : 28" tubular

### SPOKES

- Material : steel
- Material : steel
- Shape : straight pull, aero, double butted
- Shape : straight pull, bladed, double butted
- Nipples : aluminum, ABS
- Nipples : aluminum, ABS
- Count : front 16, rear 20
- Count : front 16, rear 20
- Lacing : front radial, rear Isopulse
- Lacing : front radial, rear Isopulse

### WHEEL HUB

- Front and rear bodies : aluminum
- Front and rear bodies : aluminum
- Axle material : aluminum
- Axle material : aluminum
- Front bearings : adjustable sealed cartridge bearings (QRM+), Rear bearings auto adjust sealed cartridge bearings (QRM Auto)
- Sealed cartridge bearings
- Freewheel : Instant Drive 360
- Freewheel : Instant Drive 360

### VERSIONS

- Color : Black only
- Color : Black only

### WHEEL WEIGHTS

Wheel weight 790