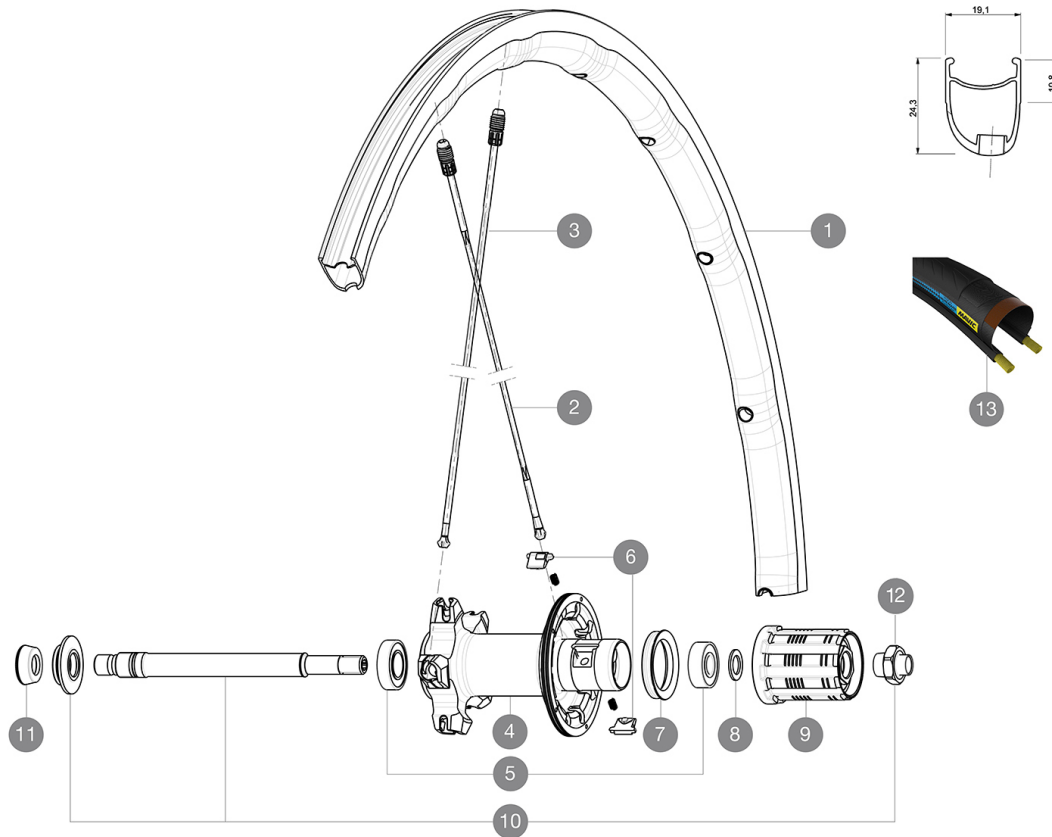


MAVIC Ksyrium Pro Exalith HR

ASTM CATEGORY 2 : road and offroad with jumps less than 15cm
 Recommended weight limit : 120kg
 Recommended tire sizes: 25 to 32 mm
 Max. Pressure: 25mm 7.7 bars - 110 PSI

REFERENCES WHEELS

R98381 KsyriumProExalith HR Rr



RIMS



VALVE HOLE Ø (MM): 6.5 :

1 LV2409700 KIT REAR RIM KSYRIUM PRO EXALITH HAUTE ROUTE

SPOKES

2 LV2270500 KIT 12 DS KSY PRO/PRO DISC/SL C/PRO EXA SPK 273,5mm
 2 LV2274800 KIT 1 FT 282.5/1 DS 273.5 SPK KSY PRO EXAL HR
 3 L10844700 KIT 10 DS R-SYS SL/SLR TUB ALU LTD SPK 297,5mm

HUB SHELLS



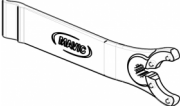

4 N/A HUB BODY
 5 L33000000 REAR HUB B9+6901 BEARINGS 2013
 6 LM4057800 FTSL PAWLS KIT (ROAD WHEELS)
 7 L99500000 FTSL/FTSX FREEHUB BODY SEAL
 8 L30872800 SET OF 3 INTERNAL SILVER SPACERS 9mm FTS-L
 9 L30871200 FTS-L ROAD FREEWHEEL BODY ED11 8/9 compatible
 9 L30871100 FTS-L ROAD FREEWHEEL BODY HG11 8/9 compatible
 10 LV2250500 KIT REAR AXLE KSYRIUM SLE/SLS/ELITE/PRO EXALITH/ALLROAD ELIT
 11 L35117300 FT/RR FORK REST R-SYS/CC ULTIMATE > 2013/KSY PRO CARB T
 12 LV2373100 KIT NUT FOR ROAD ALLOY THROUGH AXLE 9mm

TYRES

13 L39436000 YksionProPowerLink HR

MAVIC Ksyrium Pro Exalith HR

DELIVERED WITH

BR601 quick releases (V24 501 01 frt, V24 502 01 rear) 1	
Exalith brake pads (V24 703 01 Shimano/Sram, V24 704 01 Campagnolo) 1	
Multifonction adjustment wrench (325 423 01) 1	
Wheelbag (V24 801 01) 1	
User guide	

COMPATIBILITY

Freewheel: Shimano/Sram, convertible to Campagnolo with optional driver body	
Front axle: Quick Release only	
Rear axle: Quick Release only	

Specifications

RIMS

- **Material** : Maxtal
- **Height** : front 24mm, rear 26 asymmetrical
- **Joint** : SUP
- **Drilling** : Fore
- **Brake track** : Exalith 2
- **Weight reduction** : ISM 4D
- **Valve hole diameter** : 6.5 mm
- **Tire** : clincher
- **Internal width** : 17 mm
- **ETRTO size** : 622x17C

SPOKES

- **Material** : Zicral
- **Shape** : straight pull, bladed, front double butted
- **Nipples** : Fore integrated aluminum
- **Count** : front 18, rear 20
- **Lacing** : front radial, rear Isopulse

WHEEL HUB

- **Rear body** : aluminum
 - **Front body** : carbon with aluminum flanges
 - **Axle material** : aluminum
- Adjustable sealed cartridge bearings
- **Freewheel** : FTS-L steel

VERSIONS

- **Color** : Black only

WHEEL WEIGHTS

Wheel weight