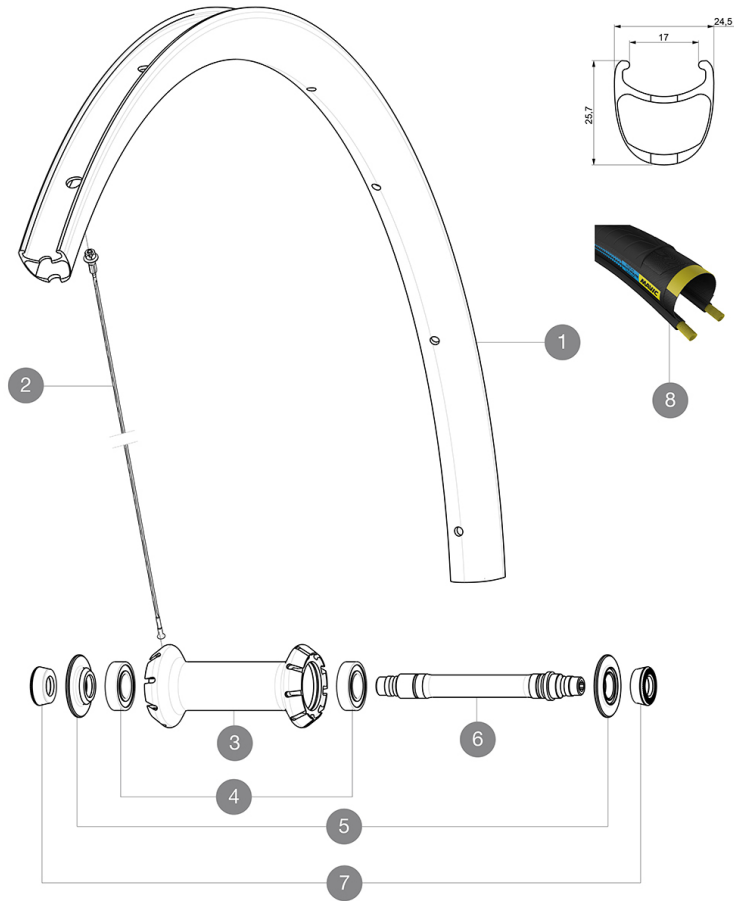


MAVIC Ksyrium Pro Carbon SL C HR

ASTM CATEGORY 1 : road only
Recommended weight limit : 120kg
Recommended tire sizes: 25 to 32 mm
Max. Pressure: 25mm 7.7 bars - 110 PSI

REFERENCES WHEELS

F71131 KsyProCarbSLC HR Ft SV



RIMS



VALVE HOLE Ø (MM): 6,5 :

1	LV2409400	KIT FRT RIM KSYRIUM PRO CARBON SL Clinch HR - while stock la
1	LV2737300	KIT FRONT RIM KSYRIUM PRO CARBON SL UST
	LV3720100	25mm UST Tape for 19 to 22mm Road Rims
	LV2690100	KIT CARBON RIM TAPE 21x622mm - FOR CARBON RIM

SPOKES

2	LV3663800	KIT 12 FRT KSYR PRO CARB SL C/UST/T & NDS COSMIC PRO CARB SL
2	LV2273100	KIT 1 FT 285/1 FT 291/1 DS 273 KSY PRO CARB SL C/D/T HR SPK
2	LV2271300	KIT 9 FT KSYRIUM PRO CARB SL C/T SPK 287mm - while stock las

HUB SHELLS



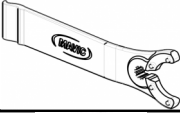

3	N/A	HUB BODY
3	N/A	HUB BODY
4	LV2540200	KIT 2 FRONT BEARINGS 12x24x6 CERAMIC - while stock last
4	LM4013100	KIT BEARINGS FRONT 12x24x6 6901 (I/O track)
5	LV2252500	FRONT SETTING NUT & DUST PROTECTOR MY16
6	L30870000	FRONT AXLE ROAD RIM BRAKING QRM +
7	L35117300	FT/RR FORK REST R-SYS/CC ULTIMATE > 2013/KSY PRO CARB T

TYRES

8 L39435900 YksionProGripLink HR

MAVIC Ksyrium Pro Carbon SL C HR

DELIVERED WITH

BR601 quick releases (V24 501 01 frt, V24 502 01 rear) 1	
Carbon brake pads (V24 603 01 Shimano/Sram, V24 604 01 Campagnolo) 1 pair	
Rim tape	
Multifunction adjustment wrench (325 423 01) 1	
"Haute Route" special edition wheelbags 1	
User guide	

COMPATIBILITY

Freewheel: Shimano/Sram or Campagnolo, convertible to XD-R with optional driver body	
Front axle: Quick Release only	
Rear axle: Quick Release only	

Specifications

RIMS

- **Material** : 3K carbon fibers
- **Height** : 25mm
- **Drilling** : traditional
- **Brake track** : carbon with TgMAX technology
- **Brake track** : carbon
- **Valve hole diameter** : 6.5 mm
- **Tire** : clincher
- **Internal width** : 17 mm
- **ETRTO size** : 622x17C

SPOKES

- **Material** : steel
- **Shape** : straight pull, bladed, double butted
- **Nipples** : aluminum, ABS
- **Count** : front 18, rear 24
- **Lacing** : front radial, rear Isopulse

WHEEL HUB

- **Front and rear bodies** : aluminum
 - **Axle material** : aluminum
- High quality ceramic bearings by CeramicSpeed (R)
- **Freewheel** : Instant Drive 360

VERSIONS

- **Color** : Black only

WHEEL WEIGHTS

Wheel weight 615