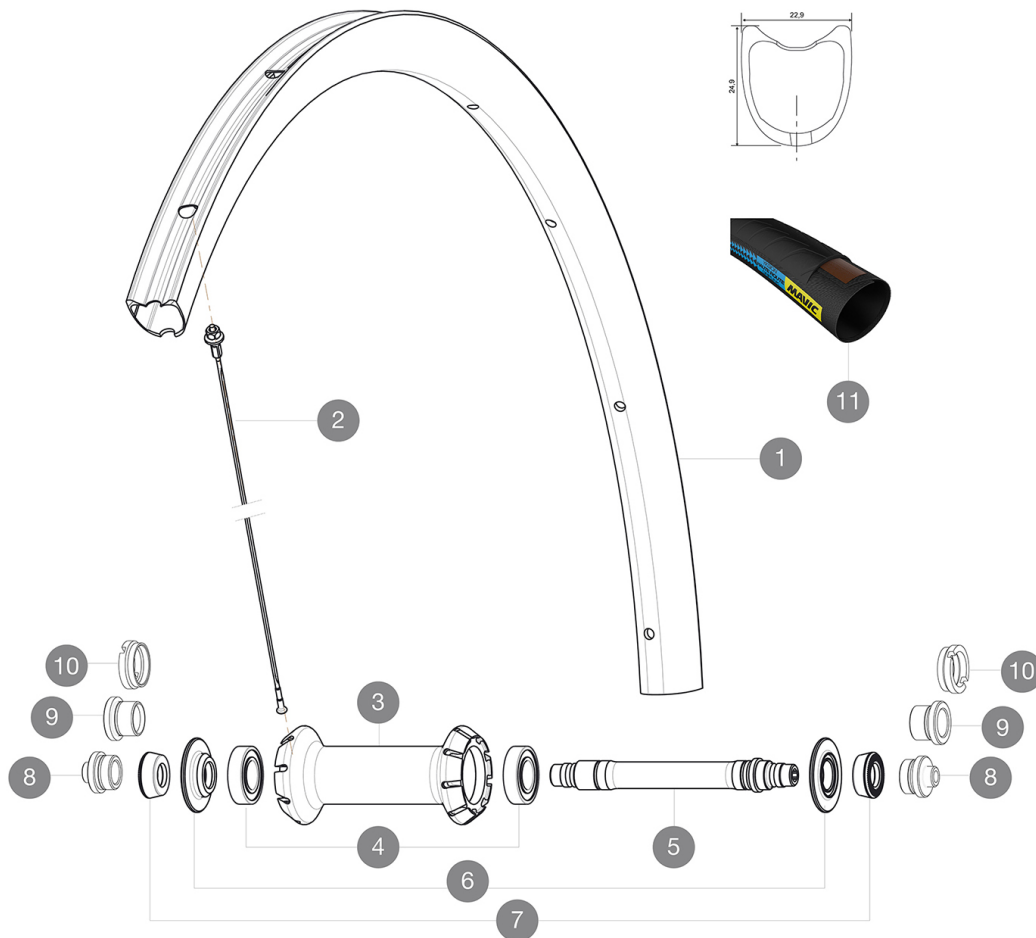


MAVIC Ksyrium Pro Carbon SL T HR

ASTM CATEGORY 2 : road and offroad with jumps less than 15cm
 Recommended weight limit : 120kg
 Recommended tire sizes: 25 to 32 mm
 Max. Pressure: 25mm 7.7 bars - 110 PSI

REFERENCES WHEELS

F70861 KsyProCarbSLT HR Ft SV



RIMS



VALVE HOLE Ø (MM): 6,5 :

1	LV2730100	KIT FRONT RIM KSYRIUM PRO CARBON SL TUB HR
---	-----------	--------------------------------------------

SPOKES

2	LV3663800	KIT 12 FRT KSYR PRO CARB SL C/UST/T & NDS COSMIC PRO CARB SL
2	LV2271300	KIT 9 FT KSYRIUM PRO CARB SL C/T SPK 287mm - while stock las

HUB SHELLS



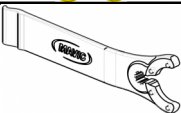

4	LM4013100	KIT BEARINGS FRONT 12x24x6 6901 (I0 track)
4	LV2540200	KIT 2 FRONT BEARINGS 12x24x6 CERAMIC - while stock last
5	L30870000	FRONT AXLE ROAD RIM BRAKING QRM +
6	LV2252500	FRONT SETTING NUT & DUST PROTECTOR MY16
7	L35117300	FT/RR FORK REST R-SYS/CC ULTIMATE > 2013/KSY PRO CARB T
8	LB4104300	ADAPTER Ft 9mm QR QRM+
9	LB4104200	ADAPTER Ft 12mm QRM+
10	LB4104400	ADAPTER Ft 15mm QRM+

TYRES

11	L39435700	YksionProGripLink HRTubular
----	-----------	-----------------------------

MAVIC Ksyrium Pro Carbon SL T HR

DELIVERED WITH

BR601 quick releases (V24 501 01 frt, V24 502 01 rear) 1	
Carbon brake pads (V24 603 01 Shimano/Sram, V24 604 01 Campagnolo) 1 pair	
Multifunction adjustment wrench (325 423 01) 1	
"Haute Route" special edition wheelbags 1	
User guide	

COMPATIBILITY

Freewheel: Shimano/Sram or Campagnolo, convertible to XD-R with optional driver body	
Front axle: Quick Release only	
Rear axle: Quick Release only	

Specifications

RIMS

- **Material** : 3K carbon fibers
- **Height** : 25mm
- **Drilling** : traditional
- **Brake track** : carbon with TgMAX technology
- **Brake track** : carbon
- **Valve hole diameter** : 6.5 mm
- **Tire** : tubular
- **ETRTO size** : 28" tubular

SPOKES

- **Material** : steel
- **Shape** : straight pull, bladed, double butted
- **Nipples** : aluminum, ABS
- **Count** : front 18, rear 24
- **Lacing** : front radial, rear Isopulse

WHEEL HUB

- **Front and rear bodies** : aluminum
 - **Axle material** : aluminum
- High quality ceramic bearings by CeramicSpeed (R)
- **Freewheel** : Instant Drive 360

VERSIONS

- **Color** : Black only

WHEEL WEIGHTS

Wheel weight 515