

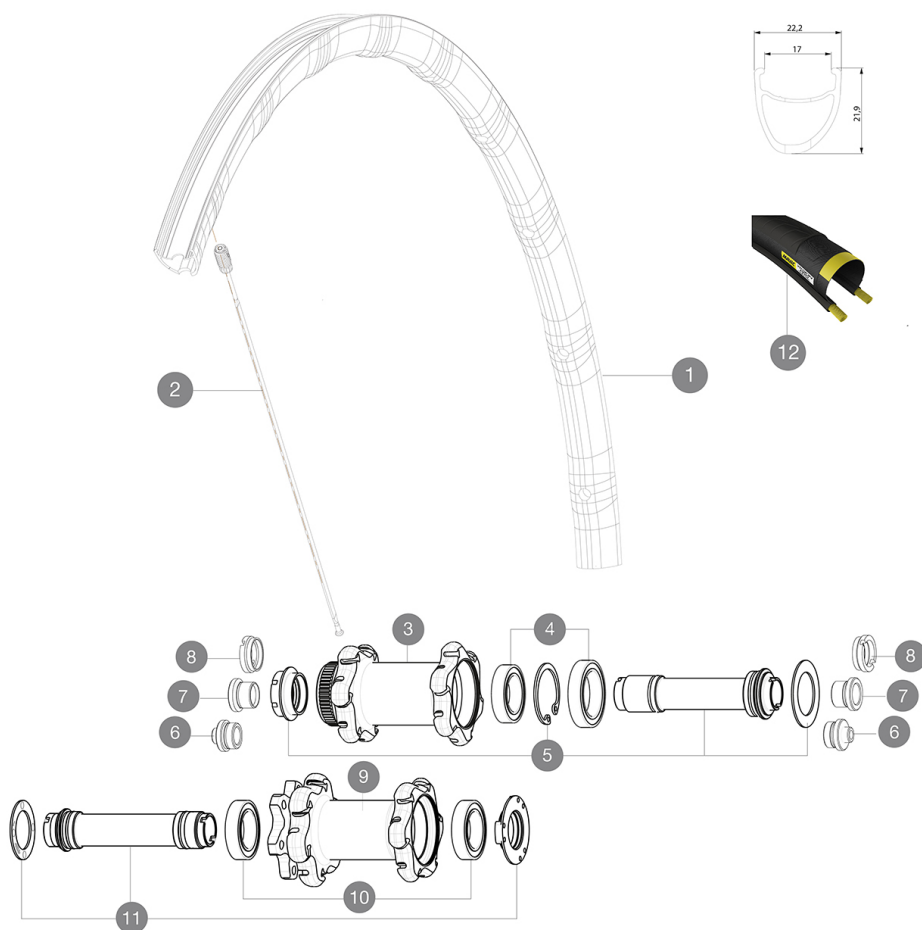
MAVIC Ksyrium Elite Disc

1
2017
FRONT

ASTM CATEGORY 2 : road and offroad with jumps less than 15cm
Recommended weight limit : 120kg
Recommended tire sizes: 25 to 32 mm
Max. Pressure: 25mm 7.7 bars - 110 PSI

REFERENCES WHEELS

F71011	KsyEliteD6BFt 12x100	F71061	KsyEliteDCLFt 12x100
--------	----------------------	--------	----------------------



RIMS



&NBSP;:

1	LV2405900	KIT FRONT RIM KSYRIUM ELITE DISC
---	-----------	----------------------------------

SPOKES

2	LV2273400	KIT 12 FRT/NON DRIVE SIDE BUTTED SPOKE 297mm
---	-----------	--

HUB SHELLS




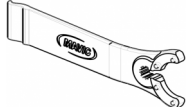
3	N/A	HUB BODY
4	L99688600	BEARING KIT 9/15 DCL HUB 20x32x7 6804 + 25x37x7 6805
5	LV2252400	KIT MY16 FRONT AXLE ROAD DISC 9/12/15 CL
6	LB4104300	ADAPTER Ft 9mm QR QRM+
7	LB4104200	ADAPTER Ft 12mm QRM+
8	LB4104400	ADAPTER Ft 15mm QRM+
9	N/A	HUB BODY
10	L99688500	BEARING KIT 9/12/15 D6T HUB 20x32x7 6804
11	LV2252300	KIT MY16 FRONT AXLE ROAD DISC 9/12/15 INT

TYRES

12	L37805300	YksionProGripLinkWH
----	-----------	---------------------

MAVIC Ksyrium Elite Disc

DELIVERED WITH

Front 12 mm adapters (B4104201) 1	
Rear 12x142mm adapters for Instant Drive 360 (B49 896 01 for ID360 6T, B49 899 01 for ID360 CL) 1	
Specific disc bolts (308 719 01) Pack of 6	
Multifunction adjustment wrench (325 423 01) 1	
User guide	

COMPATIBILITY

Freewheel: Shimano/Sram, convertible to Campagnolo and XD-R with optional driver bodies	
Front axle: convertible from 12mm thru axle to quick release or 15mm thru axle with optional adapters	
Rear axle: 12mm thru axle, convertible to Quick Release with optional adapters	

Specifications

RIMS

- **Material** : Maxtal
 - **Height** : 26mm, asymmetrical
 - **Joint** : SUP
 - **Drilling** : Fore
- Disc brake specific profile
- **Weight reduction** : ISM 4D
 - **Valve hole diameter** : 6.5 mm
 - **Tire** : clincher
 - **Internal width** : 17 mm
 - **ETRTO size** : 622x17C

SPOKES

- **Material** : steel
- **Shape** : straight pull, bladed
- **Nipples** : Fore integrated aluminum
- **Count** : 24 front and rear
- **Lacing** : front crossed 2, rear Isopulse

WHEEL HUB

- **Front and rear bodies** : aluminum
 - **Axle material** : aluminum
- Adjustable sealed cartridge bearings
- **Freewheel** : Instant Drive 360
 - **Front** : Quick release, 12 thru and 15 thru compatible
 - **Rear** : 12x142 (convertible to quick release with optional adapters)

VERSIONS

- **Color** : Black only
- **Disc standard** : 6 Bolts or Center Lock(R)

WHEEL WEIGHTS

Wheel weight 770