

MAVIC Comete Pro Carbon Exalith

ASTM CATEGORY 1 : road only

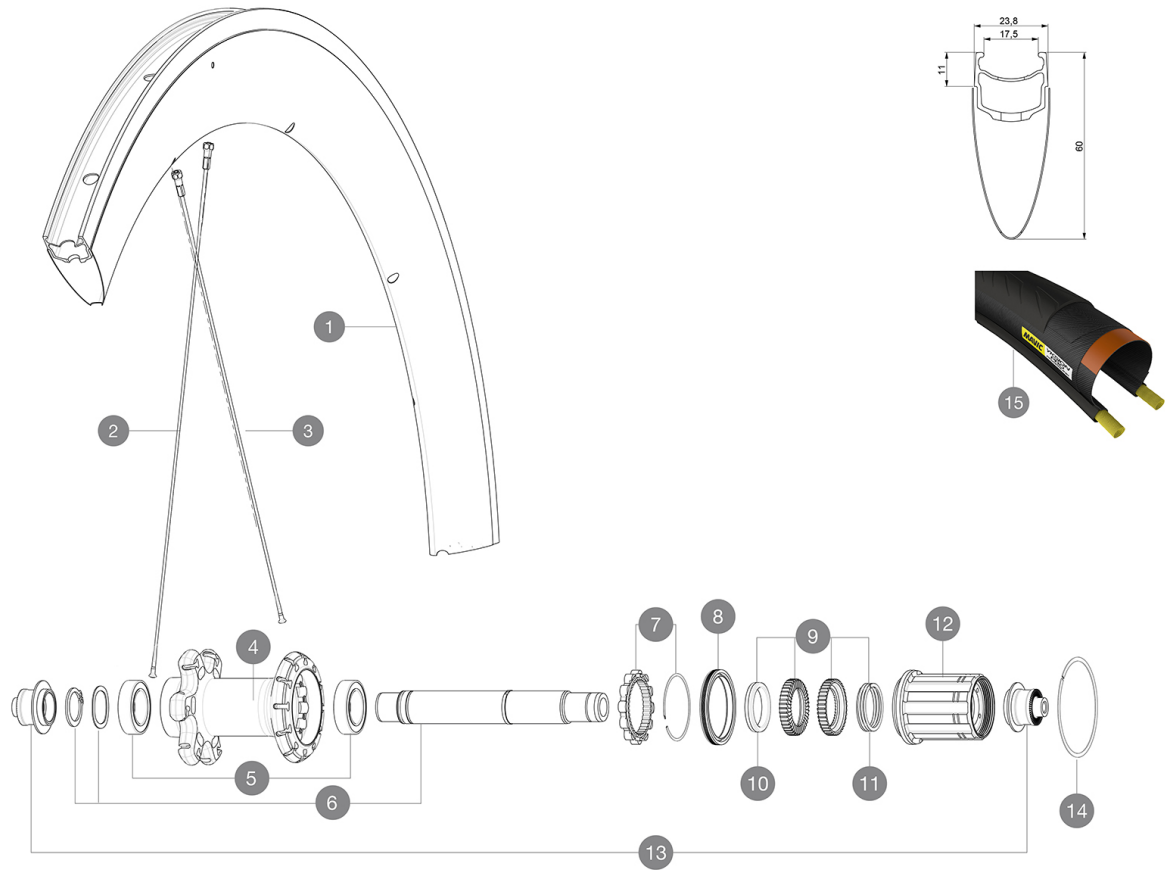
For a longer longevity of the wheel, Mavic recommends that the total weight supported by the wheels don't exceed 120kg, bike included

Recommended tyre sizes: 25 to 32 mm

Max. Pressure: 23mm 8.7 bars - 125 psi, 25/28mm 7.7 bars - 110 psi

REFERENCES WHEELS

R20921 CometeProCarbExaRrSV



RIMS



&NBSP;:

| | | |
|---|-----------|---|
| 1 | LV2732500 | KIT REAR RIM COMETE PRO CARBON EXALITH |
| | LV2690200 | KIT CARBON RIM TAPE 18x622mm - FOR CARBON RIM |

SPOKES

| | | |
|---|-------------|--|
| 2 | LV227950001 | KIT 10 NDS COMETE PRO CARBON SPOKE 301mm - while stock last |
| 2 | LV3661900 | KIT 12 NDS COMETE PRO CARBON BUTTED AERO STAINLESS SPOKE 301 |
| 3 | LV3662000 | KIT 12 DS COMETE PRO CARBON UB/D BUTTED AERO STAINLESS SPOKE |
| 3 | LV227960001 | KIT 12 DS COMETE PRO CARBON UB/DISC SPK 277mm - while stock |

HUB SHELLS

| | | |
|----|-----------|--|
| 4 | N/A | HUB BODY |
| 5 | LV2560400 | KIT 2 BEARINGS 17x28x7 + WAVED WASHER + CLIP |
| 6 | LV2252800 | KIT ID360 UB REAR AXLE W/CLIP/WAVED WASHER |
| 7 | LV2252700 | KIT ID360 INSERT SHAPED EAR LOBE > 2017 |
| 8 | LV2251600 | KIT ID360 SEAL + GREASE |
| 9 | LV2251700 | KIT ID360 2 RATCHETS + SPRING + GREASE |
| 10 | LV2500500 | KIT ID360 3 PADS NOISE REDUCING |
| 11 | LV2251800 | KIT 3 ID360 ROAD SPRINGS |
| 12 | LV3430100 | HG11 Freewheel Body ID360 |
| 13 | LV2253100 | KIT REAR AXLE ADAPTOR QUICK RELEASE ID360 |
| 14 | LV2252200 | KIT 2 REAR HUB RETENTION RINGS 48mm |

TYRES

15 L37805500 YksionProPowerLinkWH

MAVIC Comete Pro Carbon Exalith

DELIVERED WITH

| | |
|--|--|
| BR301 quick releases (V24 501 01 frt, V24 502 01 rear) | |
| BR301 quick releases (V24 501 01 frt, V24 502 01 rear) | |
| Exalith brake pads (V24 703 01 Shimano/Sram, V24 704 01 Campagnolo) | |
| Exalith brake pads (V24 703 01 Shimano/Sram, V24 704 01 Campagnolo) | |
| Rim tape | |
| Rim tape | |
| Multifunction adjustment wrench (325 423 01) | |
| Multifunction adjustment wrench (325 423 01) | |
| User guide | |
| User guide | |

COMPATIBILITY

| | |
|---|--|
| Freewheel: Shimano/Sram, convertible to Campagnolo and XD-R with optional driver bodies | |
| Freewheel: Shimano/Sram, convertible to Campagnolo and XD-R with optional driver bodies | |
| Front axle: Quick Release only | |
| Front axle: Quick Release only | |
| Rear axle: Quick Release only | |
| Rear axle: Quick Release only | |

Specifications

RIMS

- **Material** : Mxstal and 12K carbon fiber
- **Material** : Mxstal and 12K carbon fiber
- **Height** : 60 mm
- **Height** : 60 mm
- **Joint** : SUP
- **Joint** : SUP
- **Drilling** : traditional
- **Drilling** : traditional
- **Brake track** : Exalith 2
- **Brake track** : Exalith 2
- **Weight reduction** : ISM
- **Weight reduction** : ISM
- **Valve hole diameter** : 6.5 mm
- **Valve hole diameter** : 6.5 mm
- **Tyre** : clincher
- **Tyre** : clincher
- **Internal width** : 17 mm
- **Internal width** : 17 mm
- **ETRTO size** : 622x17C
- **ETRTO size** : 622x17C

SPOKES

- **Material** : steel
- **Material** : steel
- **Shape** : straight pull, aero, double butted
- **Shape** : straight pull, aero, double butted
- **Nipples** : aluminum, ABS
- **Nipples** : aluminum, ABS
- **Count** : front 16, rear 20
- **Count** : front 16, rear 20
- **Lacing** : front radial, rear Isopulse
- **Lacing** : front radial, rear Isopulse

WHEEL HUB

- **Front and rear bodies** : aluminum
- **Front and rear bodies** : aluminum
- **Axle material** : aluminum
- **Axle material** : aluminum
- **Front bearings** : adjustable sealed cartridge bearings (QRM+), Rear bearings auto adjust sealed cartridge bearings (QRM Auto)
- **Front bearings** : adjustable sealed cartridge bearings (QRM+), Rear bearings auto adjust sealed cartridge bearings (QRM Auto)
- **Freewheel** : Instant Drive 360
- **Freewheel** : Instant Drive 360

VERSIONS

- **Color** : Black only

WHEEL WEIGHTS

965