

MAVIC Comete Pro Carbon

ASTM CATEGORY 1 : road only

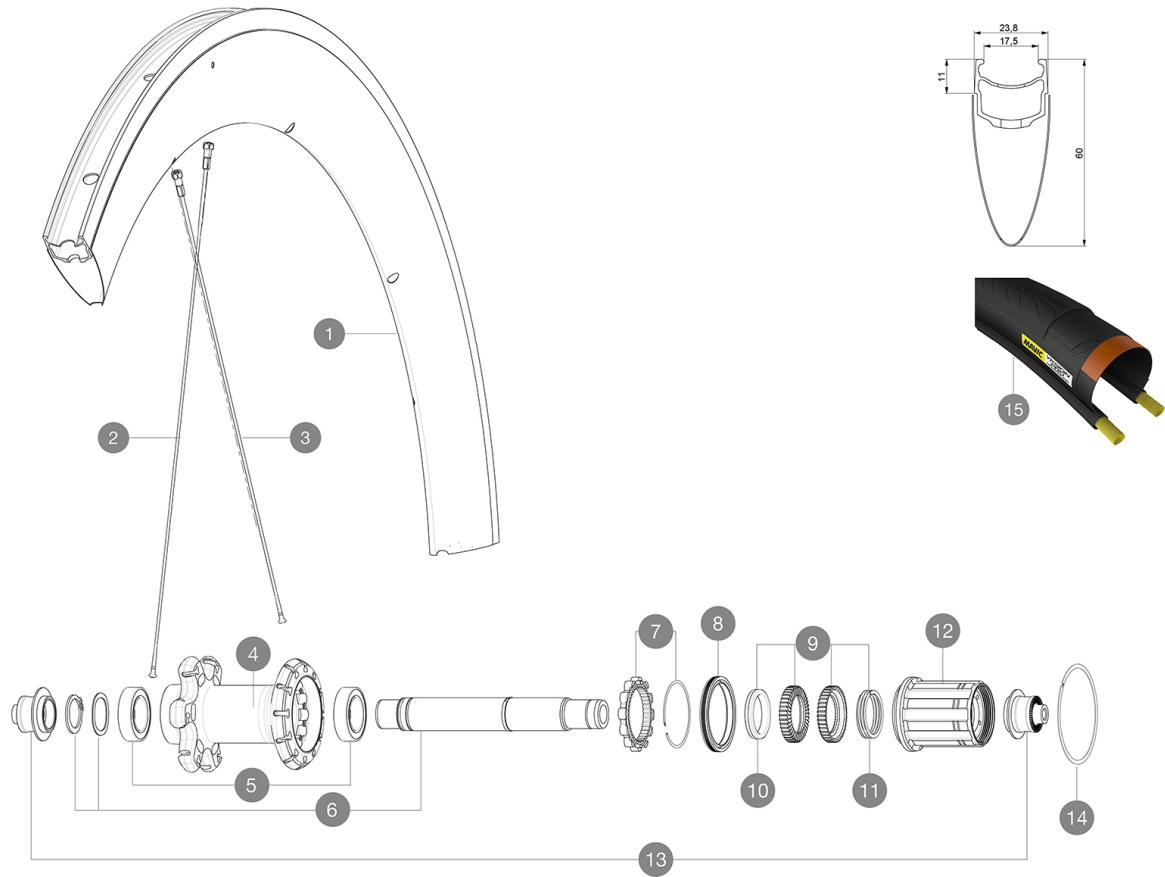
For a longer longevity of the wheel, Mavic recommends that the total weight supported by the wheels don't exceed 120kg, bike included

Recommended tyre sizes: 25 to 32 mm

Max. Pressure: 23mm 8.7 bars - 125 psi, 25/28mm 7.7 bars - 110 psi

REFERENCES WHEELS

R20941 CometeProCarbUBRrSV



RIMS



&NBSP;:

1	LV2732100	KIT REAR RIM COMETE PRO CARBON
	LV2690200	KIT CARBON RIM TAPE 18x622mm - FOR CARBON RIM

SPOKES

2	LV3662000	KIT 12 DS COMETE PRO CARBON UB/D BUTTED AERO STAINLESS SPOKE
2	LV3661900	KIT 12 NDS COMETE PRO CARBON BUTTED AERO STAINLESS SPOKE 301
2	LV227950001	KIT 10 NDS COMETE PRO CARBON SPOKE 301mm - while stock last
3	LV227960001	KIT 12 DS COMETE PRO CARBON UB/DISC SPK 277mm - while stock

HUB SHELLS

4	N/A	HUB BODY
5	LV2560400	KIT 2 BEARINGS 17x28x7 + WAVED WASHER + CLIP
6	LV2252800	KIT ID360 UB REAR AXLE W/CLIP/WAVED WASHER
7	LV2252700	KIT ID360 INSERT SHAPED EAR LOBE > 2017
8	LV2251600	KIT ID360 SEAL + GREASE
9	LV2251700	KIT ID360 2 RATCHETS + SPRING + GREASE
10	LV2500500	KIT ID360 3 PADS NOISE REDUCING
11	LV2251800	KIT 3 ID360 ROAD SPRINGS
12	LV3430100	HG11 Freewheel Body ID360
13	LV2253100	KIT REAR AXLE ADAPTOR QUICK RELEASE ID360
14	LV2252200	KIT 2 REAR HUB RETENTION RINGS 48mm

TYRES

15 L37805500 YksionProPowerLinkWH

MAVIC Comete Pro Carbon

DELIVERED WITH

BR301 quick releases (V24 501 01 frt, V24 502 01 rear)	
BR301 quick releases (V24 501 01 frt, V24 502 01 rear)	
Rim tape	
Rim tape	
Multifunction adjustment wrench (325 423 01)	
Multifunction adjustment wrench (325 423 01)	
User guide	
User guide	

COMPATIBILITY

Freewheel: Shimano/Sram, convertible to Campagnolo and XD-R with optional driver bodies	
Freewheel: Shimano/Sram, convertible to Campagnolo and XD-R with optional driver bodies	
Front axle: Quick Release only	
Front axle: Quick Release only	
Rear axle: Quick Release only	
Rear axle: Quick Release only	

Specifications

RIMS

- **Material** : Mactal and 12K carbon fiber
- **Material** : Mactal and 12K carbon fiber
- **Height** : 60 mm
- **Height** : 60 mm
- **Joint** : SUP
- **Joint** : SUP
- **Drilling** : traditional
- **Drilling** : traditional
- **Brake track** : UB Control
- **Brake track** : UB Control
- **Weight reduction** : ISM
- **Weight reduction** : ISM
- **Valve hole diameter** : 6.5 mm
- **Valve hole diameter** : 6.5 mm
- **Tyre** : clincher
- **Tyre** : clincher
- **Internal width** : 17 mm
- **Internal width** : 17 mm
- **ETRTO size** : 622x17C
- **ETRTO size** : 622x17C

SPOKES

- **Material** : steel
- **Material** : steel
- **Shape** : straight pull, aero, double butted
- **Shape** : straight pull, aero, double butted
- **Nipples** : aluminum, ABS
- **Nipples** : aluminum, ABS
- **Count** : front 16, rear 20
- **Count** : front 16, rear 20
- **Lacing** : front radial, rear Isopulse
- **Lacing** : front radial, rear Isopulse

WHEEL HUB

- **Front and rear bodies** : aluminum
- **Front and rear bodies** : aluminum
- **Axle material** : aluminum
- **Axle material** : aluminum
- **Front bearings** : adjustable sealed cartridge bearings (QRM+), Rear bearings auto adjust sealed cartridge bearings (QRM Auto)
- **Front bearings** : adjustable sealed cartridge bearings (QRM+), Rear bearings auto adjust sealed cartridge bearings (QRM Auto)
- **Freewheel** : Instant Drive 360
- **Freewheel** : Instant Drive 360

VERSIONS

- **Color** : Black only

WHEEL WEIGHTS

965