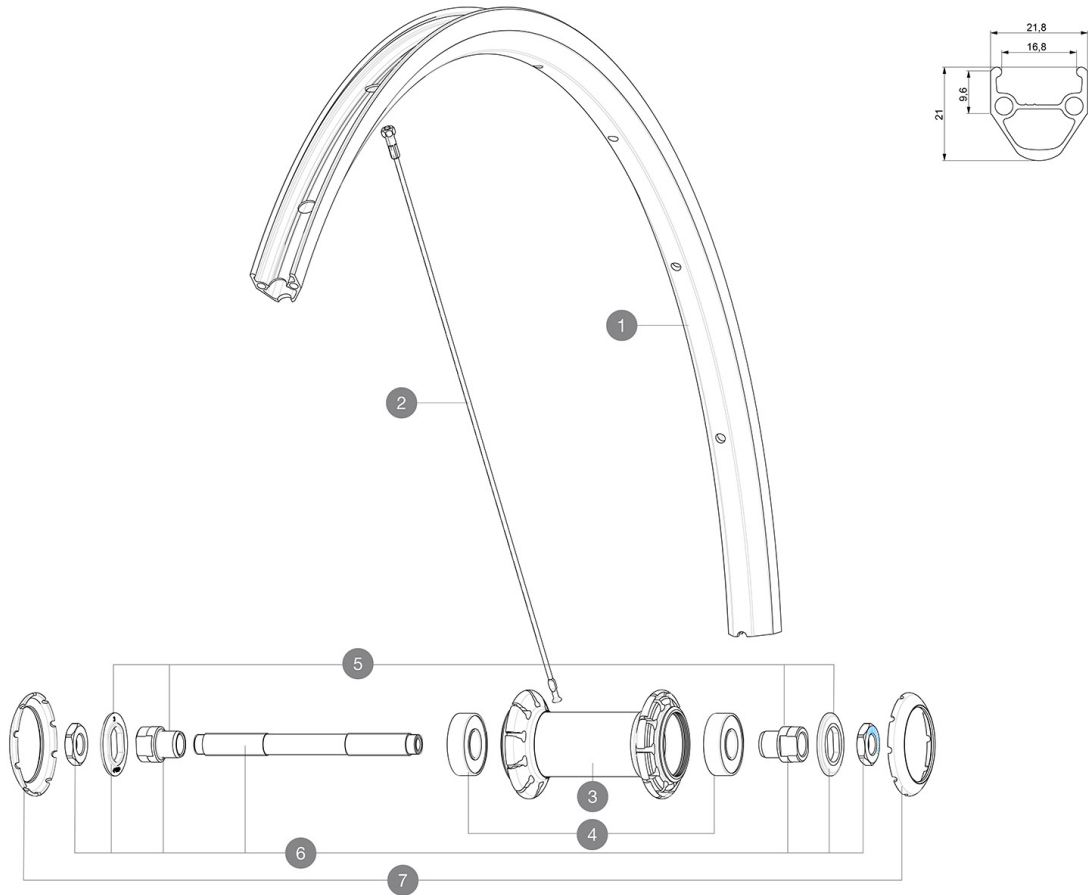


REFERENCES WHEELS

F80941 Aksium 19 Ft

ASTM CATEGORY 1 : road only
 For a longer longevity of the wheel, Mavic recommends that the total weight supported by the wheels don't exceed 120kg, bike included
 Recommended tyre sizes: 25 to 32 mm
 Max. Pressure: see indication on wheel and tyre. If they differ, use the lower of the 2
 Max. Pressure: 23mm 8.7 bars - 125 psi, 25/28mm 7.7 bars - 110 psi



RIMS



&NBSP;:

1 janteavrouteub FRONT ROAD UB RIM

SPOKES

2 LV2272700 KIT 10 FT/NDS AKSIUM RND SPK 283mm (OEM only)

HUB SHELLS

- 4** LM4031800 KIT 2 HUB BEARINGS 6001
- 5** L99603800 SHORT EXPENSIBLE BEARING SUPPORTS > 2008
- 6** L99603700 FRONT AXLE QRM ROAD 2008
- 7** L12034400 KIT 3 HUB CAPS AERO 10 SLOTS BLACK

DELIVERED WITH

BR101 quick releases (M40350 frt, M40351 rear road, M40352 rear MTB)	
BR101 quick releases (M40350 frt, M40351 rear road, M40352 rear MTB)	
BR101 quick releases (M40350 frt, M40351 rear road, M40352 rear MTB)	
Rim tape	
Rim tape	
Rim tape	
User guide	
User guide	
User guide	

COMPATIBILITY

Freewheel: Shimano/Sram, convertible to Campagnolo with optional driver body	
Freewheel: Shimano/Sram, convertible to Campagnolo with optional driver body	
Freewheel: Shimano/Sram, convertible to Campagnolo with optional driver body	
Front axle: Quick Release only	
Front axle: Quick Release only	
Front axle: Quick Release only	
Rear axle: Quick Release only	
Rear axle: Quick Release only	
Rear axle: Quick Release only	

Specifications**RIMS**

- **Material** : S6000 Aluminum
- **Material** : S6000 Aluminum
- **Material** : S6000 Aluminum
- **Height** : 21 mm
- **Height** : 21 mm
- **Height** : 21 mm
- **Joint** : pinned
- **Joint** : pinned
- **Joint** : pinned
- **Drilling** : traditional
- **Drilling** : traditional
- **Drilling** : traditional
- **Brake track** : UB Control
- **Brake track** : UB Control
- **Brake track** : UB Control
- **Valve hole diameter** : 6.5 mm
- **Valve hole diameter** : 6.5 mm
- **Valve hole diameter** : 6.5 mm
- **Tyre** : clincher
- **Tyre** : clincher
- **Tyre** : clincher
- **Internal width** : 17 mm
- **Internal width** : 17 mm
- **Internal width** : 17 mm
- **ETRTO size** : 622x17C
- **ETRTO size** : 622x17C
- **ETRTO size** : 622x17C

SPOKES

- **Material** : steel
- **Material** : steel
- **Material** : steel
- **Shape** : straght pull, round (front and rear non drive side) and straight pull, flat (rear drive side)
- **Shape** : straght pull, round (front and rear non drive side) and straight pull, flat (rear drive side)
- **Shape** : straght pull, round (front and rear non drive side) and straight pull, flat (rear drive side)
- **Shape** : straight pull, round

WHEEL HUB

- **Front and rear bodies** : aluminum
- **Front and rear bodies** : aluminum
- **Front and rear bodies** : aluminum
- **Axle material** : steel
- **Axle material** : steel
- **Axle material** : steel
- Sealed cartridge bearings (QRM)
- Sealed cartridge bearings (QRM)
- Sealed cartridge bearings (QRM)
- **Freewheel** : FTS-L steel
- **Freewheel** : FTS-L steel
- **Freewheel** : FTS-L steel
- FTS-L
- QRM

VERSIONS

- **Color** : Black only
- **Color** : Black only

WHEEL WEIGHTS

845