

ASTM CATEGORY 1 : road only

For a longer longevity of the wheel, Mavic recommends that the total weight supported by the wheels don't exceed 120kg, bike included

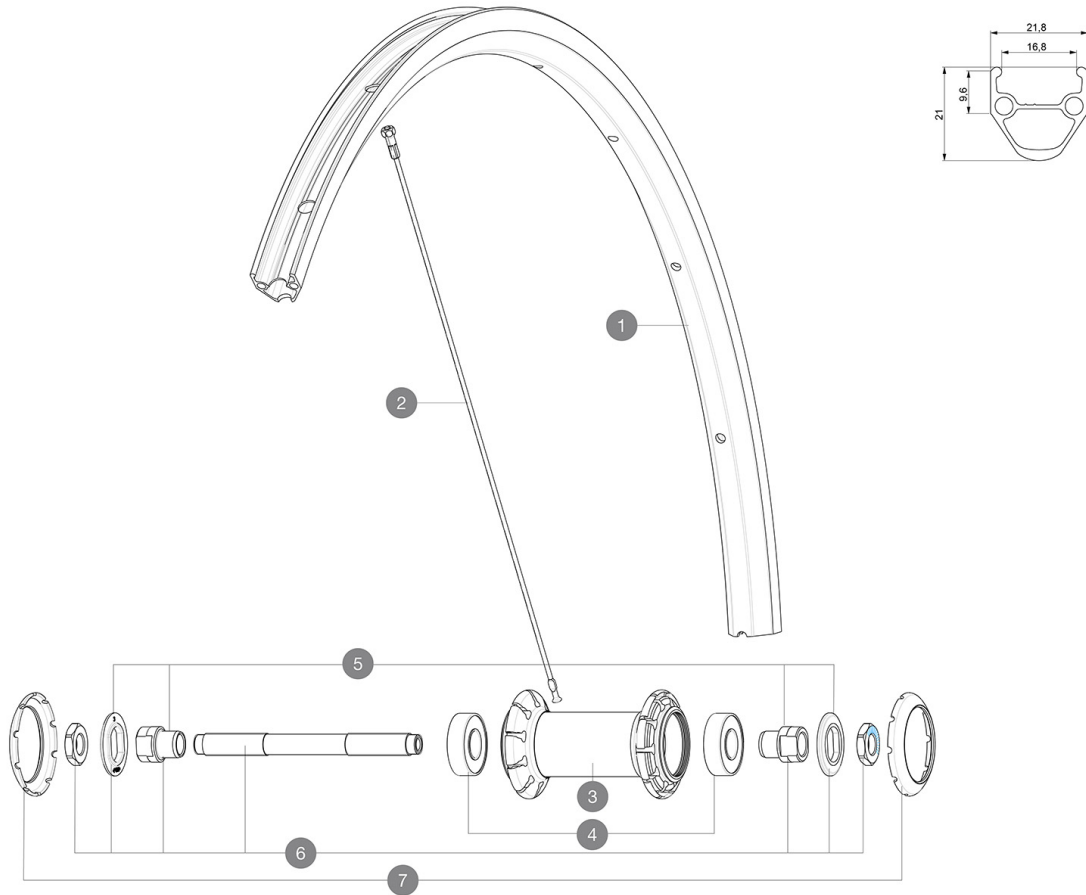
Recommended tyre sizes: 25 to 32 mm

Max. Pressure: see indication on wheel and tyre. If they differ, use the lower of the 2

Max. Pressure: 23mm 8.7 bars - 125 psi, 25/28mm 7.7 bars - 110 psi

**REFERENCES WHEELS**

F80941 Aksium 19 Ft



**RIMS**



&NBSP;:

<b>1</b>	janteavrouteub	FRONT ROAD UB RIM
----------	----------------	-------------------

**SPOKES**

<b>2</b>	LV2272700	KIT 10 FT/NDS AKSIUM RND SPK 283mm (OEM only)
----------	-----------	---

**HUB SHELLS**

<b>4</b>	LM4031800	KIT 2 HUB BEARINGS 6001
<b>5</b>	L99603800	SHORT EXPENSIBLE BEARING SUPPORTS > 2008
<b>6</b>	L99603700	FRONT AXLE QRM ROAD 2008
<b>7</b>	L12034400	KIT 3 HUB CAPS AERO 10 SLOTS BLACK

**DELIVERED WITH**

BR101 quick releases (M40350 frt, M40351 rear road, M40352 rear MTB)	
BR101 quick releases (M40350 frt, M40351 rear road, M40352 rear MTB)	
BR101 quick releases (M40350 frt, M40351 rear road, M40352 rear MTB)	
Rim tape	
Rim tape	
Rim tape	
User guide	
User guide	
User guide	

**COMPATIBILITY**

Freewheel: Shimano/Sram, convertible to Campagnolo with optional driver body	
Freewheel: Shimano/Sram, convertible to Campagnolo with optional driver body	
Freewheel: Shimano/Sram, convertible to Campagnolo with optional driver body	
Front axle: Quick Release only	
Front axle: Quick Release only	
Front axle: Quick Release only	
Rear axle: Quick Release only	
Rear axle: Quick Release only	
Rear axle: Quick Release only	

**Specifications****RIMS**

- **Material** : S6000 Aluminum
- **Material** : S6000 Aluminum
- **Material** : S6000 Aluminum
- **Height** : 21 mm
- **Height** : 21 mm
- **Height** : 21 mm
- **Joint** : pinned
- **Joint** : pinned
- **Joint** : pinned
- **Drilling** : traditional
- **Drilling** : traditional
- **Drilling** : traditional
- **Brake track** : UB Control
- **Brake track** : UB Control
- **Brake track** : UB Control
- **Valve hole diameter** : 6.5 mm
- **Valve hole diameter** : 6.5 mm
- **Valve hole diameter** : 6.5 mm
- **Tyre** : clincher
- **Tyre** : clincher
- **Tyre** : clincher
- **Internal width** : 17 mm
- **Internal width** : 17 mm
- **Internal width** : 17 mm
- **ETRTO size** : 622x17C
- **ETRTO size** : 622x17C
- **ETRTO size** : 622x17C

**SPOKES**

- **Material** : steel
- **Material** : steel
- **Material** : steel
- **Shape** : straght pull, round (front and rear non drive side) and straight pull, flat (rear drive side)
- **Shape** : straght pull, round (front and rear non drive side) and straight pull, flat (rear drive side)
- **Shape** : straght pull, round (front and rear non drive side) and straight pull, flat (rear drive side)
- **Shape** : straight pull, round

**WHEEL HUB**

- **Front and rear bodies** : aluminum
- **Front and rear bodies** : aluminum
- **Front and rear bodies** : aluminum
- **Axle material** : steel
- **Axle material** : steel
- **Axle material** : steel
- Sealed cartridge bearings (QRM)
- Sealed cartridge bearings (QRM)
- Sealed cartridge bearings (QRM)
- **Freewheel** : FTS-L steel
- **Freewheel** : FTS-L steel
- **Freewheel** : FTS-L steel
- FTS-L
- QRM

**VERSIONS**

- **Color** : Black only
- **Color** : Black only

**WHEEL WEIGHTS**

845