

**MAVIC** **Aksium Elite UST OE**

ASTM CATEGORY 1 : road only

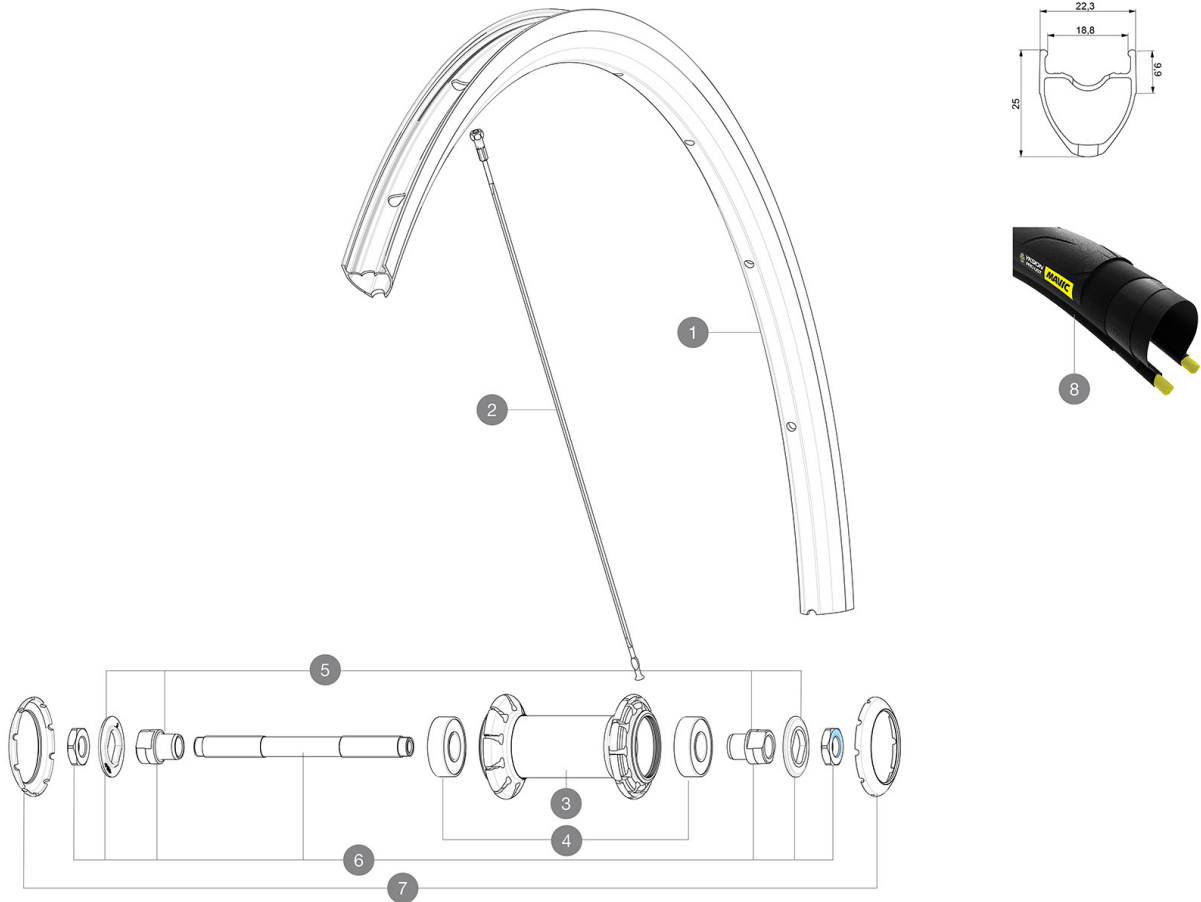
For a longer longevity of the wheel, Mavic recommends that the total weight supported by the wheels don't exceed 120kg, bike included

Recommended tyre sizes: 25 to 32 mm

Max. Pressure tubeless: 25mm 6 bars - 87 PSI, 28mm 5 bars - 70 PSI. Max pressure tubetype: 25mm 7 bars - 102 PSI, 28mm 6 bars - 87 PSI

**REFERENCES WHEELS**

F80791 AksiumElite UST Ft SV

**RIMS**

&NBSP;:

<b>1</b>	LV2735000	KIT FRONT/REAR RIM AKSIUM ELITE UST UB SUP
	LV3720100	25mm UST Tape for 19 to 22mm Road Rims

**SPOKES**

<b>2</b>	LV3664700	KIT 10 FRT/NDS AKSIUM ELITE UST FLAT SPOKE 282mm + nipple
----------	-----------	---

**HUB SHELLS**


<b>4</b>	LM4031800	KIT 2 HUB BEARINGS 6001
<b>5</b>	L99603800	SHORT EXPENSIBLE BEARING SUPPORTS > 2008
<b>6</b>	L99603700	FRONT AXLE QRM ROAD 2008
<b>7</b>	L12034400	KIT 3 HUB CAPS AERO 10 SLOTS BLACK

**TYRES**

<b>8</b>	39938828	Yksion Pro UST 700x28
<b>8</b>	39938825	Yksion Pro UST 700x25

# MAVIC Aksium Elite UST OE

## DELIVERED WITH

Mavic tyre sealant (rear wheel) (355 466 01)	
Tyre sealant syringe	
BR101 quick releases (M40350 frt, M40351 rear road, M40352 rear MTB)	
UST valve and accessories (129 838 01)	
Tubeless rim tape	
User guide	

## COMPATIBILITY

Freewheel: Shimano/Sram, convertible to Campagnolo with optional driver body	
Front axle: Quick Release only	
Rear axle: Quick Release only	

## Specifications

### RIMS

- **Material** : S6000 Aluminum
  - **Height** : 25mm
  - **Joint** : sleeved
  - **Drilling** : traditional
  - **Brake track** : UB Control
  - **Valve hole diameter** : 6.5 mm
  - **Tyre** : UST Tubeless and tubetype
  - **Internal width** : 19 mm
  - **ETRTO size** : 622x19TC Road
- Use with Mavic Tubeless Tape

### SPOKES

- **Material** : steel
- **Shape** : straight pull, flat, double butted
- **Nipples** : steel, ABS
- **Count** : 20 front and rear
- **Lacing** : radial front and rear non-drive side, crossed 2 rear drive side

### WHEEL HUB

- **Front and rear bodies** : aluminum
  - **Axle material** : steel
- Sealed cartridge bearings (QRM)
- **Freewheel** : FTS-L steel

### WHEEL WEIGHTS

825