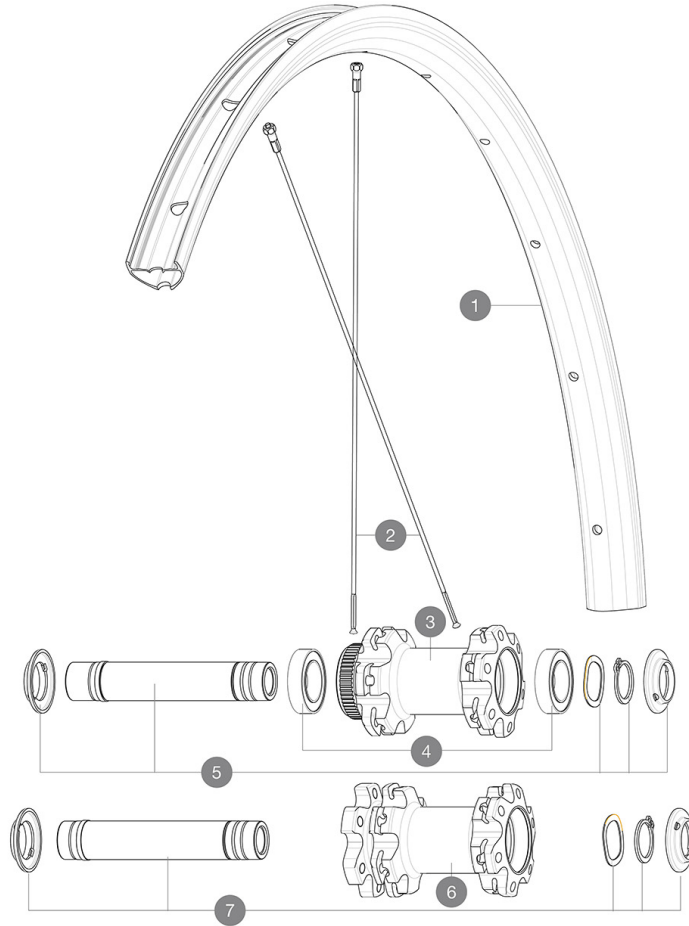


ASTM CATEGORY 2 : road and offroad with jumps less than 15cm
 For a longer longevity of the wheel, Mavic recommends that the total weight supported by the wheels don't exceed 120kg, bike included
 Recommended tyre sizes: 28 to 62 mm (1.1" to 2.5")
 Max. Pressure: see indication on wheel and tyre. If they differ, use the lower of the 2
 Max. Pressure: 30mm 5.8 bars - 85 PSI / 35mm 5.1 bars - 74 PSI / 40mm 4.5 bars - 65 PSI

REFERENCES WHEELS

F81241	Allroad D6B 700 Ft 12x100	F81261	Allroad DCL 700 Ft 12x100
--------	---------------------------	--------	---------------------------



RIMS



&NBSP;:

1	LV2734900	KIT FRONT/REAR RIM ALLROAD UST Disc
	LV2700100	UST Tape 28mm for 25 to 27mm wide rims

SPOKES




2	LV2383000	KIT 12 FT/NDS CROSSRIDE FTSX 29" SPK 297mm
---	-----------	--

HUB SHELLS

3	N/A	HUB BODY
4	LV2500900	KIT BEARINGS 18x30x7 + WAVED WASHER + CLIP
5	LV2374000	KIT 12x100mm FRONT AXLE DCL QRM AUTO ALLROAD > 2019
7	LV2374500	KIT 12mm FRT AXLE D6T QRM Auto Allroad 19

MAVIC Allroad Disc

DELIVERED WITH

Front QR adapters (996 941 01 for MTB or B41 043 01 for road)	
Front QR adapters (996 941 01 for MTB or B41 043 01 for road)	
Front QR adapters (996 941 01 for MTB or B41 043 01 for road)	
Rear QR adapters for Instant Drive 360 (B49 894 01)	
Rear QR adapters for Instant Drive 360 (B49 894 01)	
Rear QR adapters for Instant Drive 360 (B49 894 01)	
UST valve and accessories (129 838 01)	
UST valve and accessories (129 838 01)	
UST valve and accessories (129 838 01)	
Tubeless rim tape	
Tubeless rim tape	
Tubeless rim tape	
User guide	
User guide	
User guide	

COMPATIBILITY

Freewheel: Shimano/Sram, convertible to Campagnolo and XD-R with optional driver bodies	
Freewheel: Shimano/Sram, convertible to Campagnolo and XD-R with optional driver bodies	
Freewheel: Shimano/Sram, convertible to Campagnolo and XD-R with optional driver bodies	
Front axle: 12mm thru axle, easily convertible to quick release with included adapters. Convertible to 15mm with complete axle replacement	
Front axle: 12mm thru axle, easily convertible to quick release with included adapters. Convertible to 15mm with complete axle replacement	
Front axle: 12mm thru axle, easily convertible to quick release with included adapters. Convertible to 15mm with complete axle replacement	
Rear axle: 12mm thru axle, convertible to Quick Release with included adapters	
Rear axle: 12mm thru axle, convertible to Quick Release with included adapters	
Rear axle: 12mm thru axle, convertible to Quick Release with included adapters	

Specifications

RIMS

- Material : S6000 Aluminum
- Material : S6000 Aluminum
- Material : S6000 Aluminum
- Height : 22 mm
- Height : 22 mm
- Height : 22 mm
- Joint : sleeved
- Joint : sleeved
- Joint : sleeved

Download date: 2021-06-13 / Update date: 2021-05-26

Disc brake specific profile

WHEEL HUB

- Front and rear bodies : aluminum
 - Front and rear bodies : aluminum
 - Front and rear bodies : aluminum
 - Axle material : aluminum
 - Axle material : aluminum
 - Axle material : aluminum
- Auto adjust sealed cartridge bearings (QR Auto), front and rear
- Auto adjust sealed cartridge bearings (QR Auto), front and rear

WHEEL WEIGHTS

870