

MAVIC Allroad Disc

ASTM CATEGORY 2 : road and offroad with jumps less than 15cm

For a longer longevity of the wheel, Mavic recommends that the total weight supported by the wheels don't exceed 120kg, bike included

Recommended tyre sizes: 28 to 62 mm (1.1" to 2.5")

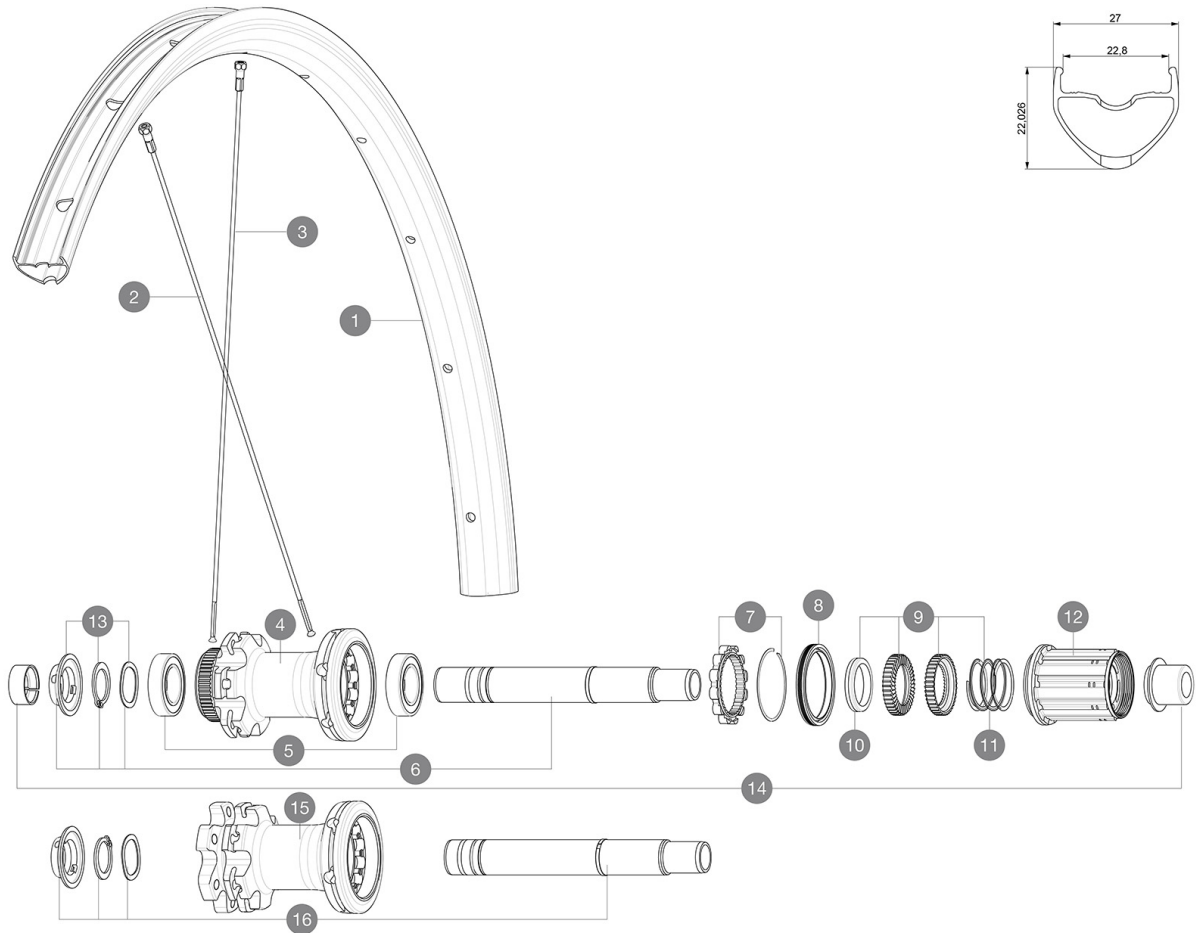
Max. Pressure: see indication on wheel and tyre. If they differ, use the lower of the 2

Max. Pressure: 30mm 5.8 bars - 85 PSI / 35mm 5.1 bars - 74 PSI / 40mm 4.5 bars - 65 PSI

REFERENCES WHEELS

R23331 Allroad D6B 700 Rr 12x142

R23351 Allroad DCL 700 Rr 12x142



RIMS



&NBSP;:

1	LV2734900	KIT FRONT/REAR RIM ALLROAD UST Disc
	LV2700100	UST Tape 28mm for 25 to 27mm wide rims

SPOKES




2	LV2383000	KIT 12 FT/NDS CROSSRIDE FTSX 29" SPK 297mm
3	LV2279200	KIT 12 DS AKSIUM DISC 12mm RND SPK 292mm

HUB SHELLS

4	N/A	HUB BODY
5	LM4007600	HUB BEARINGS 17x30x7 6903 x 2
6	LV2373400	KIT ID360 135/142 DCL L1 AXLE WITH CLIP
7	LV2252700	KIT ID360 INSERT SHAPED EAR LOBE > 2017
8	LV2251600	KIT ID360 SEAL + GREASE
9	LV2251700	KIT ID360 2 RATCHETS + SPRING + GREASE
10	LV2500500	KIT ID360 3 PADS NOISE REDUCING
11	LV2251800	KIT 3 ID360 ROAD SPRINGS
12	LV4000100	HG11 STEEL ROAD FREE HUB BODY ID360 - while stock last
12	LV3430100	HG11 Freewheel Body ID360
13	LV2373000	KIT ADJUST. SYSTEM QRM AUTO ID360 for 17x30x7 bearing
14	LV2510700	ID360V2RrAxleAdapt12x142/148
16	LV2372100	KIT ID360 135/142 D6T AXLE WITH CLIP

MAVIC Allroad Disc

DELIVERED WITH

Front QR adapters (996 941 01 for MTB or B41 043 01 for road)	
Front QR adapters (996 941 01 for MTB or B41 043 01 for road)	
Front QR adapters (996 941 01 for MTB or B41 043 01 for road)	
Rear QR adapters for Instant Drive 360 (B49 894 01)	
Rear QR adapters for Instant Drive 360 (B49 894 01)	
Rear QR adapters for Instant Drive 360 (B49 894 01)	
UST valve and accessories (129 838 01)	
UST valve and accessories (129 838 01)	
UST valve and accessories (129 838 01)	
Tubeless rim tape	
Tubeless rim tape	
Tubeless rim tape	
User guide	
User guide	
User guide	

COMPATIBILITY

Freewheel: Shimano/Sram, convertible to Campagnolo and XD-R with optional driver bodies	
Freewheel: Shimano/Sram, convertible to Campagnolo and XD-R with optional driver bodies	
Freewheel: Shimano/Sram, convertible to Campagnolo and XD-R with optional driver bodies	
Front axle: 12mm thru axle, easily convertible to quick release with included adapters. Convertible to 15mm with complete axle replacement	
Front axle: 12mm thru axle, easily convertible to quick release with included adapters. Convertible to 15mm with complete axle replacement	
Front axle: 12mm thru axle, easily convertible to quick release with included adapters. Convertible to 15mm with complete axle replacement	
Rear axle: 12mm thru axle, convertible to Quick Release with included adapters	
Rear axle: 12mm thru axle, convertible to Quick Release with included adapters	
Rear axle: 12mm thru axle, convertible to Quick Release with included adapters	

Specifications

RIMS

- Material : S6000 Aluminum
- Material : S6000 Aluminum
- Material : S6000 Aluminum
- Height : 22 mm
- Height : 22 mm
- Height : 22 mm
- Joint : sleeved
- Joint : sleeved
- Joint : sleeved

Disc brake specific profile

WHEEL HUB

- Front and rear bodies : aluminum
 - Front and rear bodies : aluminum
 - Front and rear bodies : aluminum
 - Axle material : aluminum
 - Axle material : aluminum
 - Axle material : aluminum
- Auto adjust sealed cartridge bearings (QRM Auto), front and rear
- Auto adjust sealed cartridge bearings (QRM Auto), front and rear

WHEEL WEIGHTS

1020