

**MAVIC** *Cosmic Pro Carbon UST*

ASTM CATEGORY 1 : road only

For a longer longevity of the wheel, Mavic recommends that the total weight supported by the wheels don't exceed 120kg, bike included

Recommended tyre sizes: 25 to 32 mm

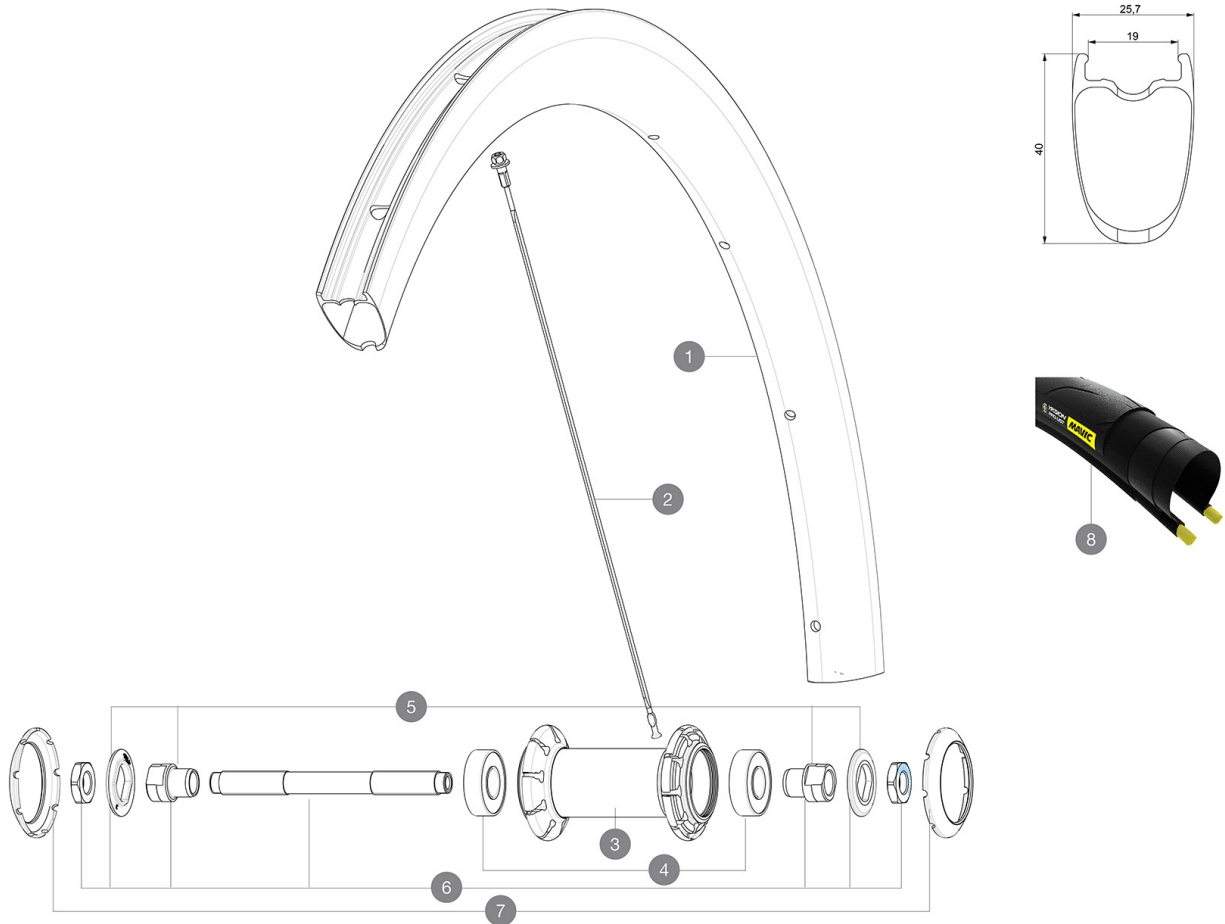
Max. Pressure: see indication on wheel and tyre. If they differ, use the lower of the 2

Max. Pressure tubeless: 25mm 6 bars - 87 PSI, 28mm 5 bars - 70 PSI. Max pressure tubetype: 25mm 7 bars - 102 PSI, 28mm 6 bars - 87 PSI

**REFERENCES WHEELS**

F83671 Cosmic Pro Carbon UST Ft

F90721 Cosmic Pro Carbon UST Ft NT

**RIMS**

&amp;NBSP;:

1	LV4092600	Kit Front rim Cosmic SL 40 RB
1	LV2736700	KIT FRONT RIM COSMIC PRO CARBON SL/PRO CARBON UST 19 - while
1	LV2734410	KIT FRONT RIM COSMIC PRO CARBON UST - while stock last
	LV3720100	25mm UST Tape for 19 to 22mm Road Rims

**SPOKES**

2	LV4160900	Kit 10 Front/Rear non Drive Side Stainless Spokes 268 Cosmic
2	LV4160700	Kit 2 Front/Rear non Drive Side stamped Stainless Spokes 268
2	LV3664300	KIT 10 FRT/NDS COSMIC PRO CARBON UST SPOKE 268mm - while sto
2	LV3664400	KIT 2 FRT/NDS COSMIC PRO CARBON UST STAMPED SPOKE 268mm - wh

**HUB SHELLS**



4	LM4031800	KIT 2 HUB BEARINGS 6001
5	L99603800	SHORT EXPENSIBLE BEARING SUPPORTS > 2008
6	L99603700	FRONT AXLE QRM ROAD 2008
7	LV2375100	KIT 3 HUB CAPS AERO 9 SLOTS BLACK

**TYRES**

8	39938825	Yksion Pro UST 700x25
---	----------	-----------------------

# MAVIC Cosmic Pro Carbon UST

## DELIVERED WITH

Mavic tyre sealant (rear wheel) (355 466 01)	
Mavic tyre sealant (rear wheel) (355 466 01)	
BR301 quick releases (V24 501 01 frt, V24 502 01 rear)	
BR301 quick releases (V24 501 01 frt, V24 502 01 rear)	
Tyre sealant syringe	
Tyre sealant syringe	
Carbon brake pads (V24 603 01 Shimano/Sram, V24 604 01 Campagnolo)	
Carbon brake pads (V24 603 01 Shimano/Sram, V24 604 01 Campagnolo)	
UST valve and accessories (129 838 01)	
UST valve and accessories (129 838 01)	
Tubeless rim tape	
Tubeless rim tape	
User guide	
User guide	

## COMPATIBILITY

Freewheel: Shimano/Sram, convertible to Campagnolo with optional driver body	
Freewheel: Shimano/Sram, convertible to Campagnolo with optional driver body	
Front axle: Quick Release only	
Front axle: Quick Release only	
Rear axle: Quick Release only	
Rear axle: Quick Release only	

## Specifications

### RIMS

- **Material** : 3K carbon fibers
- **Material** : 3K carbon fibers
- **Height** : 40 mm
- **Height** : 40 mm
- **Drilling** : traditional
- **Drilling** : traditional
- **Brake track** : carbon with iTgMAX technology
- **Brake track** : carbon with iTgMAX technology
- **Valve hole diameter** : 6.5 mm
- **Valve hole diameter** : 6.5 mm
- **Tyre** : UST Tubeless and tubetype
- **Tyre** : UST Tubeless and tubetype
- **Internal width** : 19 mm
- **Internal width** : 19 mm
- **ETRTO size** : 622x19TC Road

### WHEEL HUB

- **Front and rear bodies** : aluminum
- **Front and rear bodies** : aluminum
- **Axle material** : steel
- **Axle material** : steel
- Sealed cartridge bearings (QRM)
- Sealed cartridge bearings (QRM)
- **Freewheel** : FTS-L steel
- **Freewheel** : FTS-L steel

### VERSIONS

- **Color** : Black only

### WHEEL WEIGHTS

745