



# Cosmic Pro Carbon UST TDF

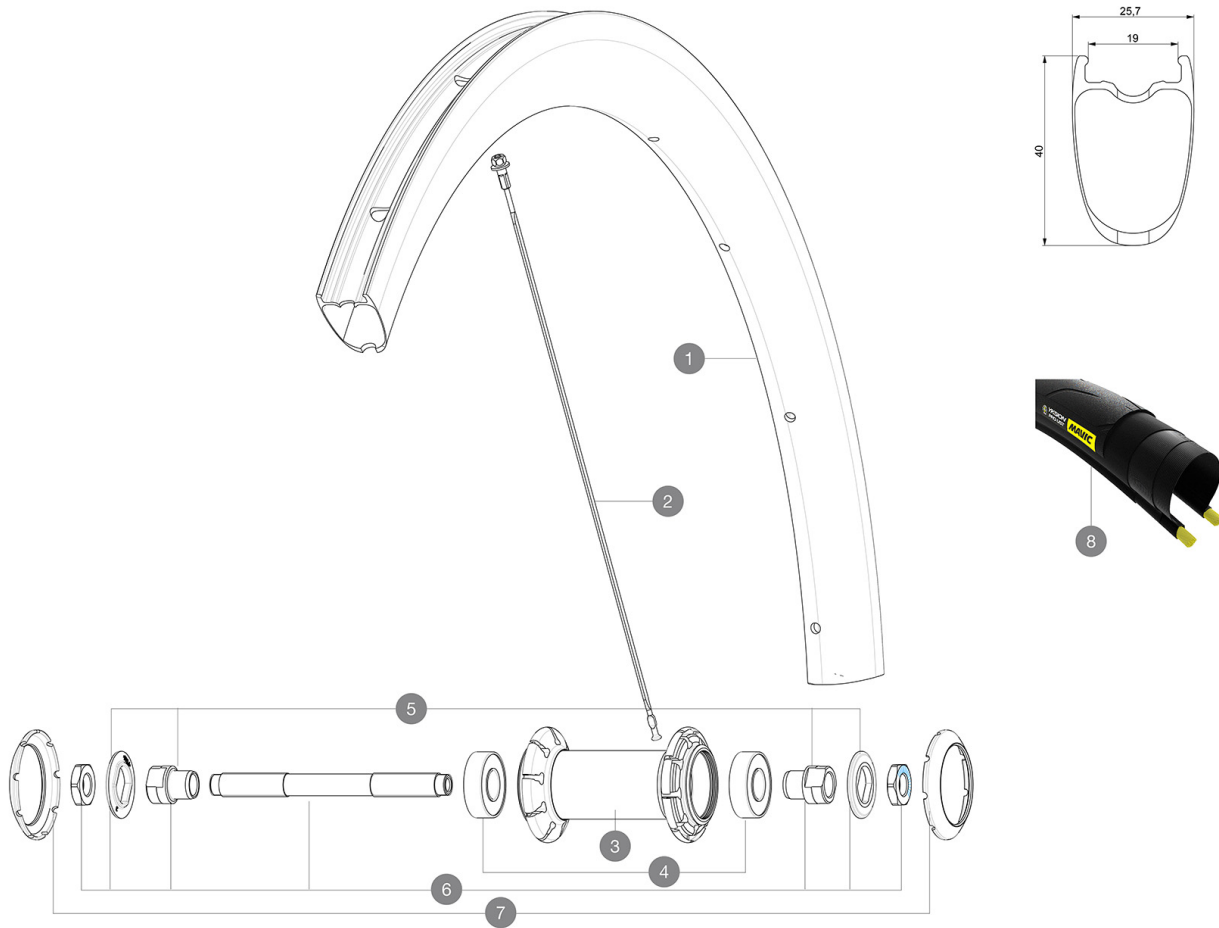
## 参照ホイール

F85731 Cosmic Pro Carb UST TDF Ft

ASTM 1: 120

25mm 6 bars - 87 PSI, 28mm 5 bars - 70

PSI 25mm 7 bars - 102 PSI, 28mm 6 bars - 87 PSI



## RIMS



&NBSP;:

|   |           |                                         |
|---|-----------|-----------------------------------------|
| 1 | LV2734600 | KIT FRONT RIM COSMIC PRO CARBON UST TdF |
|   | LV3720100 | 25mm UST Tape for 19 to 22mm Road Rims  |

## SPOKES

|   |           |                                                                 |
|---|-----------|-----------------------------------------------------------------|
| 2 | LV4160900 | Kit 10 Front/Rear non Drive Side Stainless Spokes 268 Cosmic    |
| 2 | LV3664300 | KIT 10 FRT/NDS COSMIC PRO CARBON UST SPOKE 268mm - white        |
| 2 | LV3664400 | KIT 2 FRT/NDS COSMIC PRO CARBON UST STAMPED SPOKE 268mm - white |
| 2 | LV4160700 | Kit 2 Front/Rear non Drive Side stamped Stainless Spokes 268    |


## HUB SHELLS

|   |           |                                          |
|---|-----------|------------------------------------------|
| 4 | LM4031800 | HUB BEARING KIT 6001                     |
| 5 | L99603800 | SHORT EXPENSIBLE BEARING SUPPORTS > 2008 |
| 6 | L99603700 | FRONT AXLE QRM ROAD 2008                 |
| 7 | LV2375100 | KIT 3 HUB CAPS AERO 9 SLOTS BLACK        |

## TYRES

|   |          |                       |
|---|----------|-----------------------|
| 8 | 39938825 | Yksion Pro UST 700x25 |
|---|----------|-----------------------|

付属品

|                                |                                                                                   |
|--------------------------------|-----------------------------------------------------------------------------------|
| MAVIC<br>(355 466 01)          |                                                                                   |
| BR301<br>V24 501 01 V24 502 01 |                                                                                   |
|                                |                                                                                   |
| (V24 603 01 V24 604 01)        |                                                                                   |
| UST<br>(129 838 01)            |  |
|                                |                                                                                   |
|                                |                                                                                   |

COMPATIBILITY

|  |  |
|--|--|
|  |  |
|  |  |
|  |  |

Specifications

リム

• 3K  
40mm  
+ iTgMAX  
6.5mm  
UST  
19mm  
ETRTO 622x19TC

スポーク

ABS  
18 20  
21

ホイールハブ

QRML  
FITS-L

ホイールの重み

745