



Cosmic Pro Carbon UST TDF

参照ホイール

R30421 Cosmic ProCarb UST TDF Rr

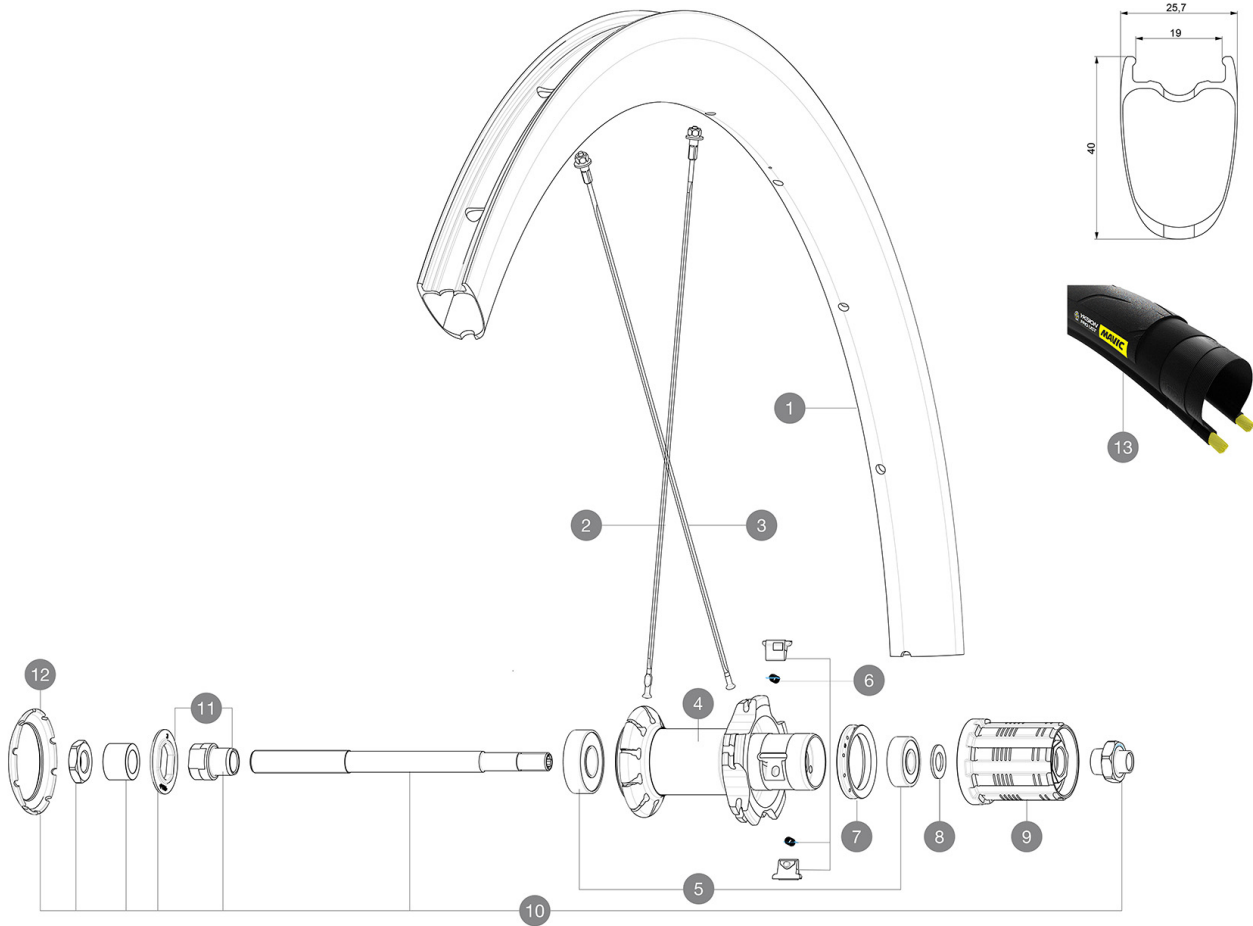
ASTM規格 1: 規格

規格 120規格

規格 25規格 32mm

規格 25mm 6 bars - 87 PSI, 28mm 5 bars - 70

規格 25mm 7 bars - 102 PSI, 28mm 6 bars - 87 PSI



RIMS



&NBSP;:

| | | |
|---|-----------|--|
| 1 | LV2734700 | KIT REAR RIM COSMIC PRO CARBON UST TdF |
| | LV3720100 | 25mm UST Tape for 19 to 22mm Road Rims |

SPOKES

| | | |
|---|-----------|--|
| 2 | LV4160700 | Kit 2 Front/Rear non Drive Side stamped Stainless Spokes 268 |
| 2 | LV3664400 | KIT 2 FRT/NDS COSMIC PRO CARBON UST STAMPED SPOKE |
| 2 | LV4160900 | Kit 10 Front/Rear non Drive Side Stainless Spokes 268 Cosmic |
| 2 | LV3664300 | KIT 10 FRT/NDS COSMIC PRO CARBON UST SPOKE 268mm - white |
| 3 | LV4160100 | Kit 10 stainless spokes 285 Ft Ksyrium Equipe S/Ft & NDS Aks |

HUB SHELLS

| | | |
|----|-----------|---|
| 5 | LM4066000 | REAR HUB 608+6001 BEARINGS |
| 6 | LM4057800 | FTSL PAWLS KIT (ROAD WHEELS) |
| 7 | L99500000 | FTSL/FTSX FREEHUB BODY SEAL |
| 8 | L30872800 | SET OF 3 INTERNAL SILVER SPACERS 9mm FTS-L 2013 |
| 9 | L30871100 | FTS-L FREEWHEEL BODY HG11 2013 (8 or 9mm axle compatible) |
| 10 | L99603900 | REAR AXLE KSYRIUM EQUIPE 08 |
| 11 | L99603800 | SHORT EXPENSIBLE BEARING SUPPORTS > 2008 |
| 12 | L12034400 | KIT 3 HUB CAPS AERO 10 SLOTS BLACK |

TYRES

| | | |
|----|----------|-----------------------|
| 13 | 39938825 | Yksion Pro UST 700x25 |
|----|----------|-----------------------|



Cosmic Pro Carbon UST TDF

付属品

| | |
|-----------------------------|--|
| MAVIC (355 466 01) | |
| BR301 V24 501 01 V24 502 01 | |
| | |
| (V24 603 01 V24 604 01) | |
| UST (129 838 01) | |
| | |
| | |

COMPATIBILITY

| | |
|--|--|
| | |
| | |
| | |

Specifications

リム

• 3K
40mm
+ iTgMAX
6.5mm
UST
19mm
ETRTO 622x19TC

スポーク

ABS
18
2

ホイールハブ

QRM
FTS-L

ホイールの重み

905