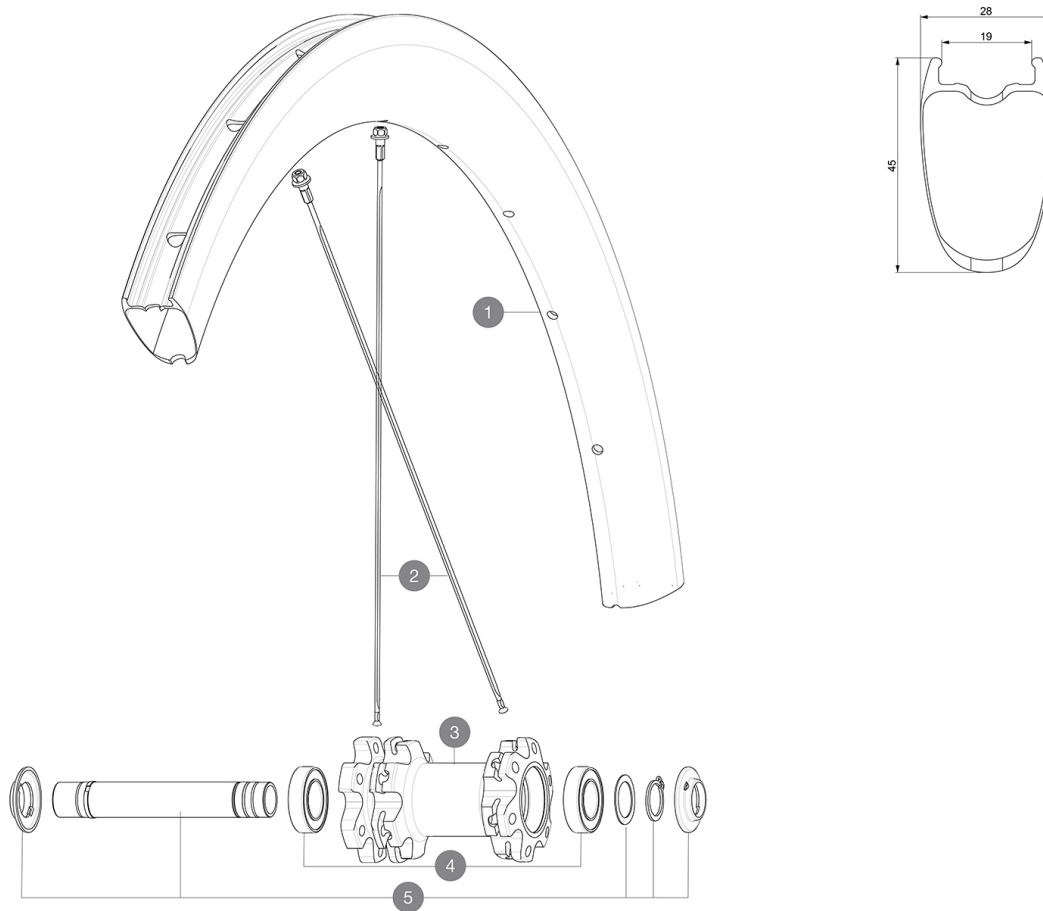


Max. Reifenluftdruck: siehe Angaben auf Laufrad und Reifen. Wenn diese abweichen, gilt stets der niedrigere Wert!

REFERENZEN RÄDER

F86951 CosPCUST D6B EBM20 Ft



RIMS



&NBSP::

- | | | |
|---|-----------|---|
| 1 | LV2736200 | KIT FRONT RIM COSMIC PRO CARBON UST Disc - while stock last |
| | LV2620100 | UST RIM TAPE 25mm (for 21-24mm wide rim) |

SPOKES

- | | | |
|---|-----------|---|
| 2 | LV4161200 | Kit 12 Front/Rear non Drive Side Stainless Spokes 273 Cosmic |
| 2 | LV3665900 | KIT 12 FRT/ND S COSMIC PRO CARBON UST Disc SPOKE 273 + nipple |

HUB SHELLS

- | | | |
|---|-----------|-------------------------------------|
| 3 | N/A | NABENKÖRPER |
| 4 | LM4012900 | KIT 2 BEARINGS 6902 15x28x7 |
| 5 | LV2373300 | KIT QRM AUTO FRONT AXLE 12mm > 2019 |



Cosmic Pro Carbon UST EBM

Specifications

RADGEWICHTE