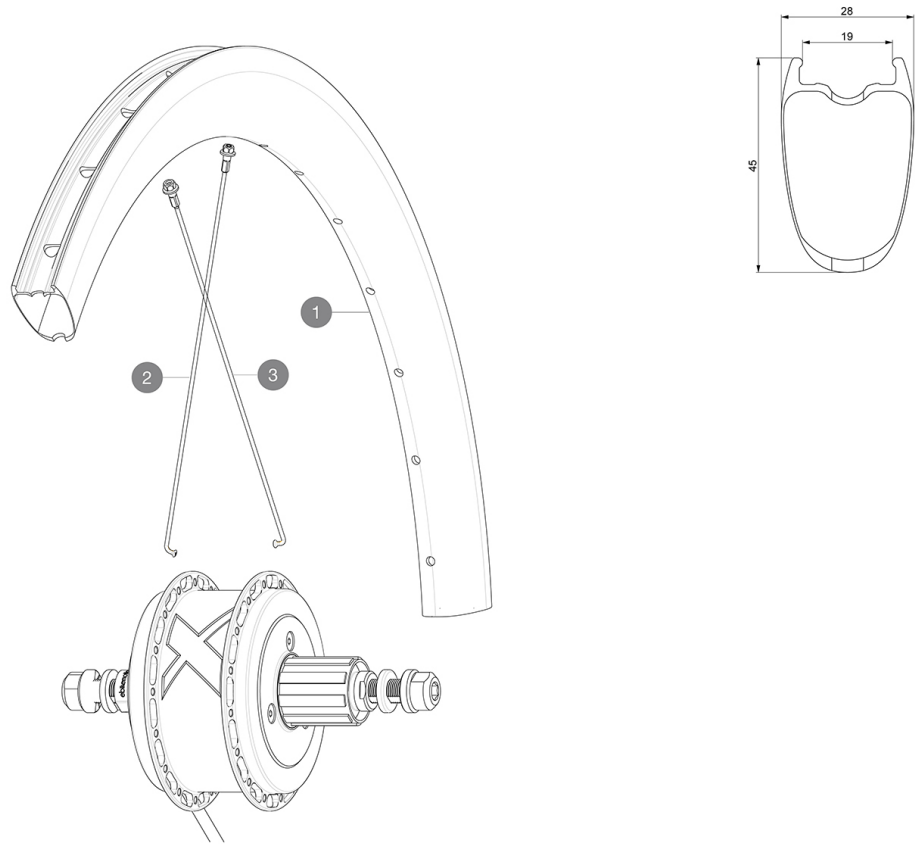


**REFERENCES WHEELS**

Max. Pressure: see indication on wheel and tyre. If they differ, use the lower of the 2

**RIMS**

&amp;NBSP;:

- |          |           |  |
|----------|-----------|--|
| <b>1</b> | LV2738800 | KIT REAR RIM COSMIC PRO CARBON UST DISC EBM 32 holes |
|          | LV2620100 | UST RIM TAPE 25mm (for 21-24mm wide rim)             |

**SPOKES**

- |          |           |  |
|----------|-----------|--|
| <b>2</b> | LV3668000 | KIT 16 NON DRIVE SIDE J-bent Spoke 230mm COSMIC PRO CARBON U |
| <b>3</b> | LV3667900 | KIT 16 DRIVE SIDE J-bent Spoke 228mm COSMIC PRO CARBON UST D |



# *Cosmic Pro Carbon UST EBM*

## *Specifications*

WHEEL WEIGHTS