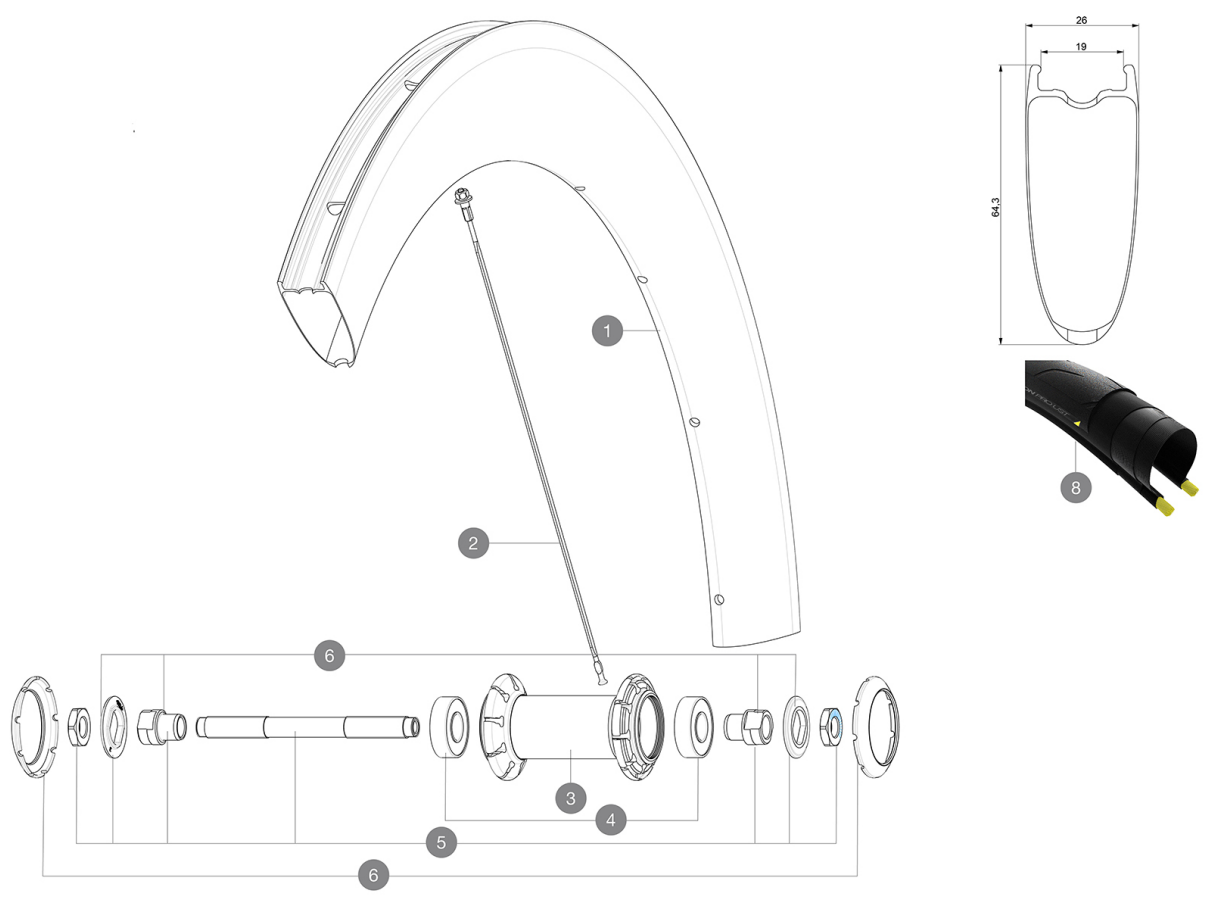


MAVIC Comete Pro Carbon UST

REFERENCES WHEELS

F87721 Comete Pro Carbon UST Ft

ASTM CATEGORY 1 : road only
For a longer longevity of the wheel, Mavic recommends that the total weight supported by the wheels don't exceed 120kg, bike included
Recommended tyre sizes: 25 to 32 mm
Max. Pressure: see indication on wheel and tyre. If they differ, use the lower of the 2



RIMS



&NBSP;:

1	LV2737200	KIT FRONT RIM COMETE PRO CARBON SL UST 19
	LV3720100	25mm UST Tape for 19 to 22mm Road Rims


SPOKES

2	LV4161500	Kit 2 front/rear 245mm stamped butted stainless spoke Comete
2	LV3668600	Kit 12 front/rear NDS butted spoke 245mm Com Pro Carbon UST
2	LV3668700	Kit 2 front/rear 245mm stamped butted spoke Comete Pro Carbo
2	LV4161400	Kit 12 front/rear NDS butted stainless spoke 245mm Com Pro C

HUB SHELLS

3	N/A	HUB BODY
4	LM4031800	KIT 2 HUB BEARINGS 6001
5	L99603800	SHORT EXPENSIBLE BEARING SUPPORTS > 2008
6	L99603700	FRONT AXLE QRM ROAD 2008
7	L12034400	KIT 3 HUB CAPS AERO 10 SLOTS BLACK

DELIVERED WITH

Mavic tyre sealant (rear wheel) (355 466 01)	
BR301 quick releases (V24 501 01 frt, V24 502 01 rear)	
Tyre sealant syringe	
Carbon brake pads (V24 603 01 Shimano/Sram, V24 604 01 Campagnolo)	
UST valve and accessories (129 838 01)	
Tubeless rim tape	
User guide	

COMPATIBILITY

Freewheel: Shimano/Sram, convertible to Campagnolo with optional driver body	
Front axle: Quick Release only	
Rear axle: Quick Release only	

Specifications**RIMS**

- **Material** : 3K carbon fibers
 - **Height** : 64mm
 - **Drilling** : traditional
 - **Brake track** : carbon with iTgMAX technology
 - **Valve hole diameter** : 6.5 mm
 - **Tyre** : UST Tubeless and tubetype
 - **Internal width** : 19 mm
 - **ETRTO size** : 622x19TC Road
- Use with Mavic Tubeless Tape

SPOKES

- **Material** : steel
- **Shape** : straight pull, flat
- **Nipples** : steel, ABS
- **Count** : front 18, rear 20
- **Lacing** : radial front and rear non-drive side, crossed 2 rear drive side

WHEEL HUB

- **Front and rear bodies** : aluminum
 - **Axle material** : steel
- Sealed cartridge bearings (QRM)
- **Freewheel** : FTS-L steel

VERSIONS

- **Color** : Black only

WHEEL WEIGHTS

835