

MAVIC Aksium Elite UST

ASTM CATEGORY 1 : road only

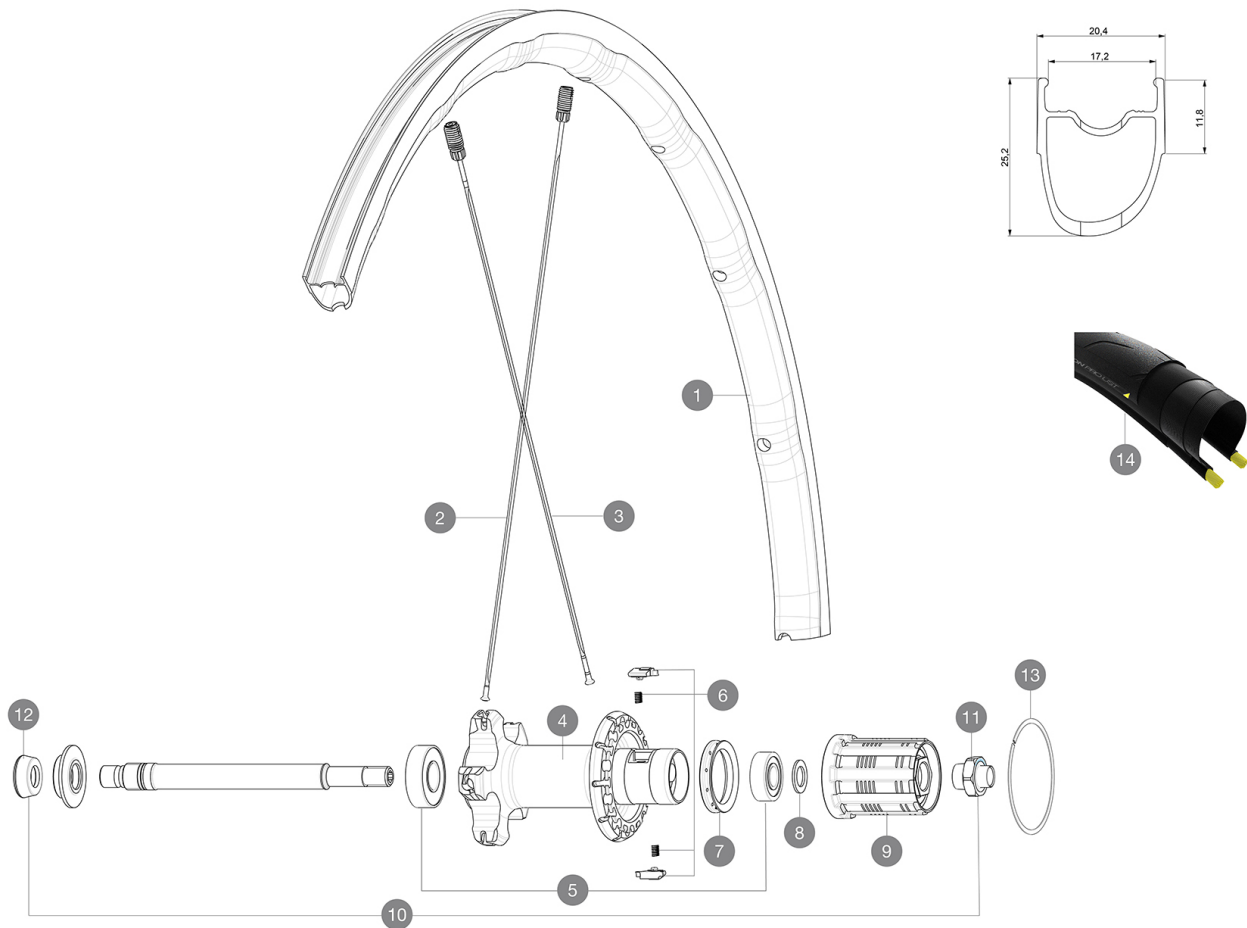
For a longer longevity of the wheel, Mavic recommends that the total weight supported by the wheels don't exceed 120kg, bike included

Recommended tyre sizes: 25 to 32 mm

Max. Pressure: see indication on wheel and tyre. If they differ, use the lower of the 2

REFERENCES WHEELS

R34211 AksiumElite Evo UST 20 Rr



RIMS



&NBSP;:

1	LV2739900	KIT FRONT/REAR RIM AKSIUM ELITE UST 19/20
	LV3720100	25mm UST Tape for 19 to 22mm Road Rims

SPOKES


2	LV3664700	KIT 10 FRT/NDS AKSIUM ELITE UST FLAT SPOKE 282mm + nipple
3	LV3664800	KIT 10 DS AKSIUM ELITE UST/KSYRIUM UST FLAT BUTTED SPOKE 297

HUB SHELLS

4	N/A	HUB BODY
5	LM4066000	REAR HUB 608+6001 BEARINGS
6	LM4057800	FTSL PAWLS KIT (ROAD WHEELS)
7	L99500000	FTSL/FTSX FREEHUB BODY SEAL
8	L30872800	SET OF 3 INTERNAL SILVER SPACERS 9mm FTS-L
9	L30871100	FTS-L ROAD FREEWHEEL BODY HG11 8/9 compatible
10	L99603900	REAR AXLE QRM ROAD 2008
11	L99603800	SHORT EXPENSIBLE BEARING SUPPORTS > 2008
12	L12034400	KIT 3 HUB CAPS AERO 10 SLOTS BLACK

MAVIC Aksium Elite UST

DELIVERED WITH

Mavic tyre sealant (rear wheel) (355 466 01)	
Tyre sealant syringe	
BR101 quick releases (M40350 frt, M40351 rear road, M40352 rear MTB)	
UST valve and accessories (129 838 01)	
Tubeless rim tape	
User guide	

COMPATIBILITY

Freewheel: Shimano/Sram, convertible to Campagnolo with optional driver body	
Front axle: Quick Release only	
Rear axle: Quick Release only	

Specifications

RIMS

- **Material** : S6000 Aluminum
 - **Height** : 25mm
 - **Joint** : SUP
 - **Drilling** : traditional
 - **Brake track** : UB Control
 - **Valve hole diameter** : 6.5 mm
 - **Tyre** : UST Tubeless and tubetype
 - **Internal width** : 19 mm
 - **ETRTO size** : 622x19TC Road
- Use with Mavic Tubeless Tape

SPOKES

- **Material** : steel
- **Shape** : straight pull, flat, double butted
- **Nipples** : steel, ABS
- **Count** : 20 front and rear
- **Lacing** : radial front and rear non-drive side, crossed 2 rear drive side

WHEEL HUB

- **Front and rear bodies** : aluminum
 - **Axle material** : steel
- Sealed cartridge bearings (QRM)
- **Freewheel** : FTS-L steel

VERSIONS

- **Color** : Black only

WHEEL WEIGHTS

955