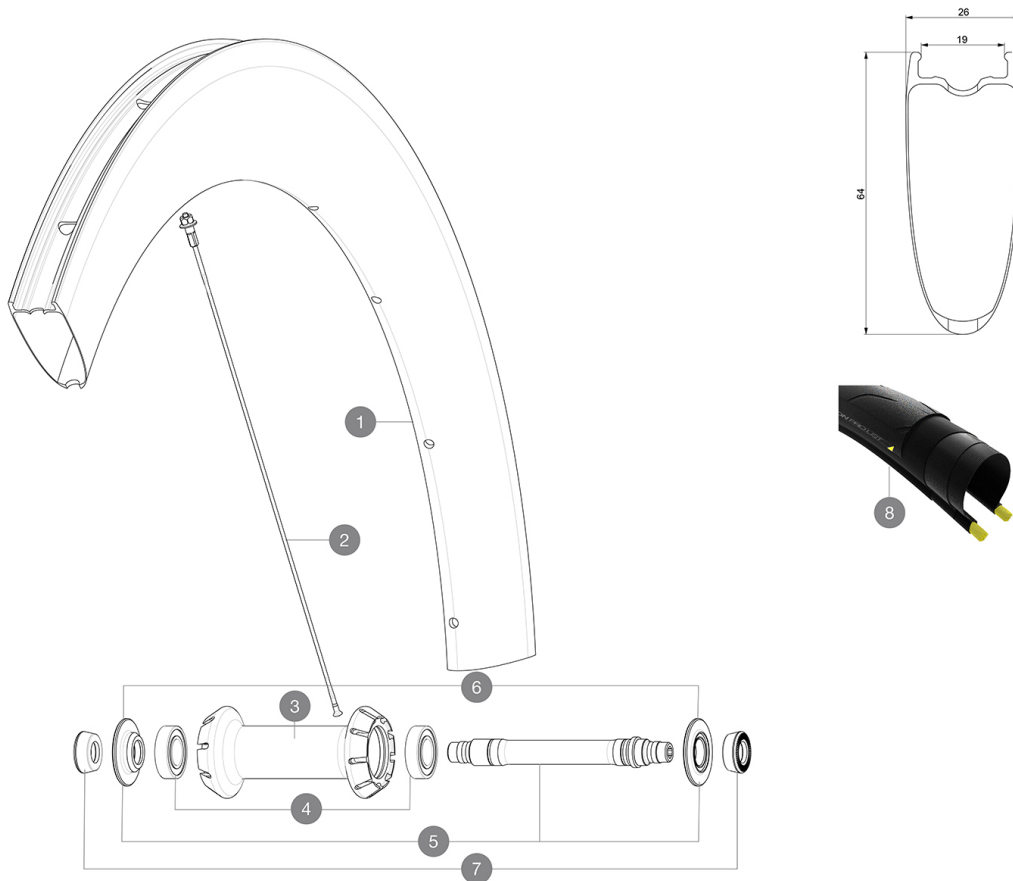


ASTM 1 :  
120  
25 32mm  
2

参照ホイール

F89051 ComProCarbSLUST TDF2 Ft



RIMS



&NBSP;:

1	LV4091300	KIT FRONT RIM COMETE PRO CARBON SL UST TdF 20
	LV3720100	25mm UST Tape for 19 to 22mm Road Rims

SPOKES

2	LV3663100	KIT 12 FRT BUTTED AERO STAINLESS SPOKE 247 + alu nipple + wa
---	-----------	--


HUB SHELLS

3	N/A	HUB BODY
4	LM4007800	FRONT HUB 6901 BEARINGS
5	L30870000	FRONT AXLE ROAD RIM BRAKING QRM +
6	LV2252500	FRONT SETTING NUT & DUST PROTECTOR MY16
7	L35117300	FRONT OR REAR FORK REST KIT R-SYS 2013



# Comete Pro Carbon SL TDF

## 付属品

MAVIC <i>iiiiiiii (iiiiii)</i> (L35546600)	
BR601 <i>iii iiiiiiiii</i> ( <i>iiiiii 323 485 01iiiiii 323 486 01i</i> )	
<i>iiiiiiiiii iiiii</i>	
<i>iiiiiiiiiiiii</i> (V24 603 01 <i>iiii/iiiiii V24 604 01</i> <i>iiiiiiiiii</i> )	
UST <i>iiiiiiiiiiiii</i> (L12983800)	
<i>iiiiiiiiiiiii</i>	
<i>iiiiiiiiii</i> (L32542300)	
<i>iiiiiiiiii</i>	

## COMPATIBILITY

<i>iiiiiiiiii/iiiiiiiiiiiii</i> <i>iiiiiiiiiiXD-Riiiiiiiiii</i>	
<i>iiiiiiiiiiiii</i>	
<i>iiiiiiiiiiiii</i>	

## Specifications

### リム

• *iii* : 3K *iiiiiiiiii*  
*iiiiii64mm*  
*iiiiiiiiiiiii*  
*iiiiiiiiiiiii + iTgMAXiiiiii*  
*iiiiii6.5mm*  
*iiiiiiUST iiiiiiiiiiii*  
*iiii19mm*  
 ETRTO *iiiiii622x19TC iiiii*  
*iiiiii iiiiiiiiiiii*

### スポーク

*iiiiiiiiii*  
*iiiiiiiiiiiii*  
*iiiiiiiiiiiiiABS*  
*iiiiiiiiii 18iiiiii 20i*  
*iiiiiiiiii iiiiiiiii iiiiiiiii*

### ホイールハブ

*iiiiiiiiii iiiiiiiiiiii*  
*iiiiiiiiiiiii*  
*iiiiiiiiiiiiiQRM+*  
*iiiiiiiiiiiiiQRM*  
*iiiiii*  
*iiiiiiiiiiiii360*

### VERSIONS

*iiiiiiiiiiiii*

### ホイールの重み

740